

# Wireless ATM

Raj Jain

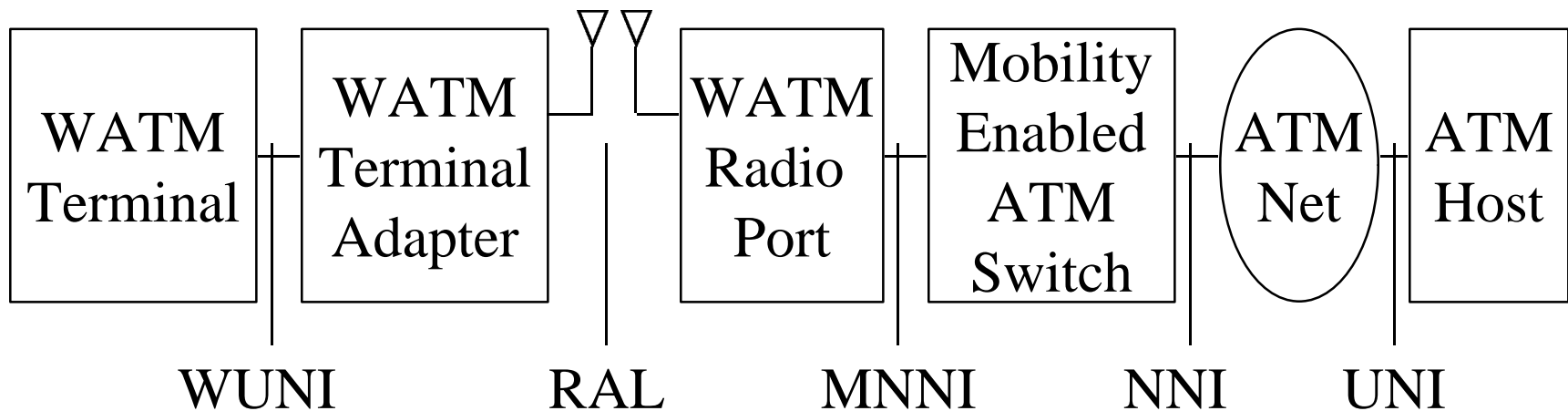
Professor of Computer and Information Science

**Raj Jain is now at  
Washington University in Saint Louis  
Jain@cse.wustl.edu  
<http://www.cse.wustl.edu/~jain/>**

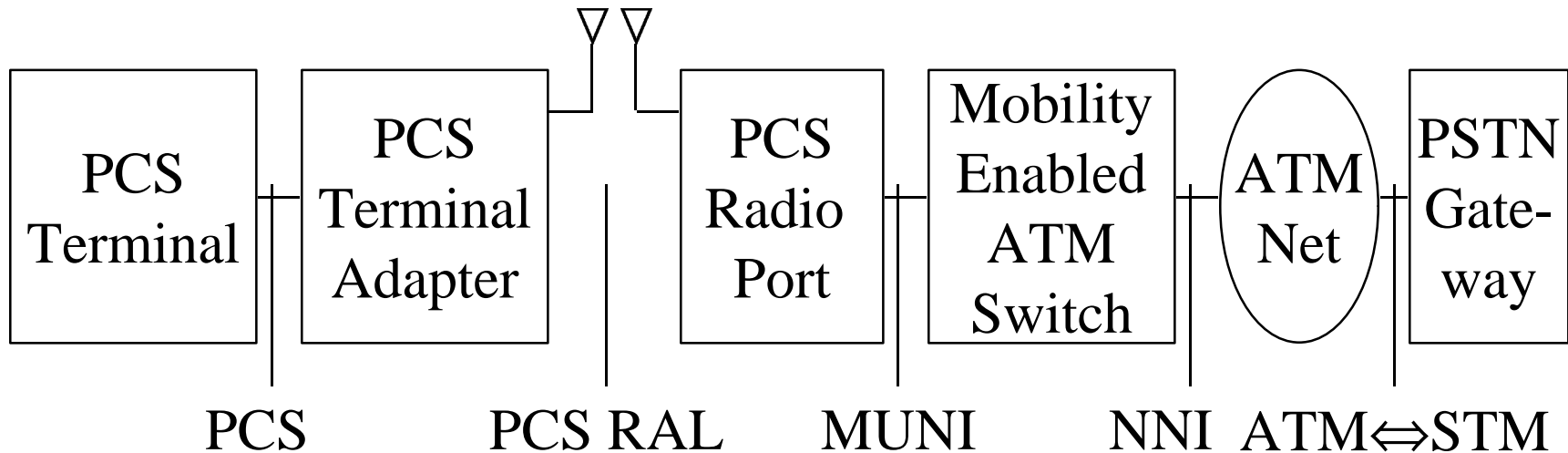


- q Reference Model
- q Protocol Architecture
- q Proposed scope

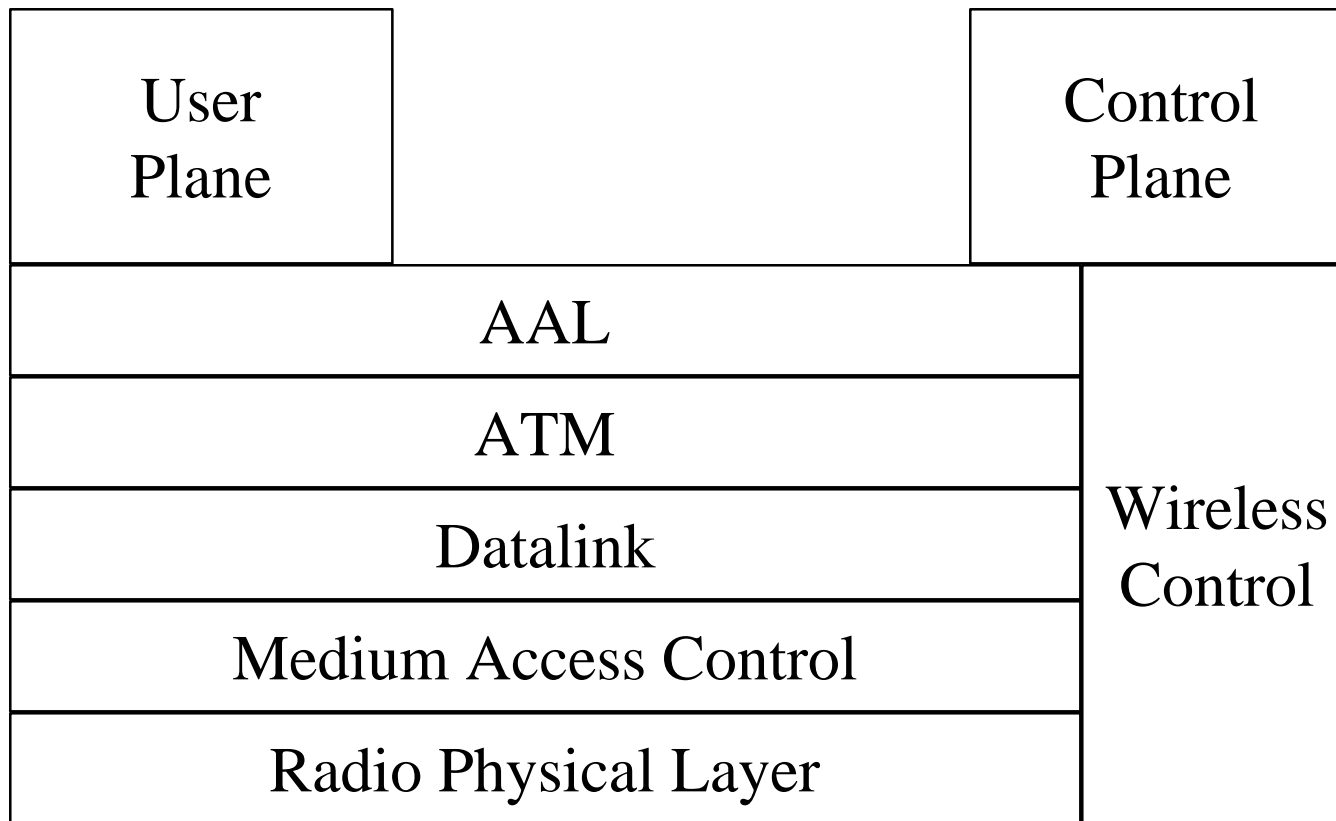
# Wireless ATM: Reference Model



q May also be used with cellular/PCS infrastructure



# WATM Protocol Architecture



# Proposed Work Items

- q Radio access protocols including
  - q Radio physical layer
  - q Medium access control for wireless channel
  - q Datalink control for wireless channel errors
  - q Wireless control protocol for radio resource management
- q Mobile ATM Protocol extensions including:
  - q Handoff control
  - q Location management for mobile connections
  - q Routing considerations for mobile connections
  - q Traffic/QoS control for mobile connections
  - q Wireless Network Management

# Status

- q So Far it was a "Birds of a Feather"
- q Working Group will be established in August 1996

# References: Wireless ATM

- q L. Dellaverson, "Proposed Charter, Work Plan and Schedule for a Wireless ATM Working Group," ATM Forum/96-0712, June 1996.
- q J. Deane, "WATM PHY requirements," ATM Forum/96-0785, June 1996
- q J. Deane, "WATM MAC requirements," ATM Forum/96-0786, June 1996