

THIS DRAWING IS UNPUBLISHED.

RELEASED FOR PUBLICATION

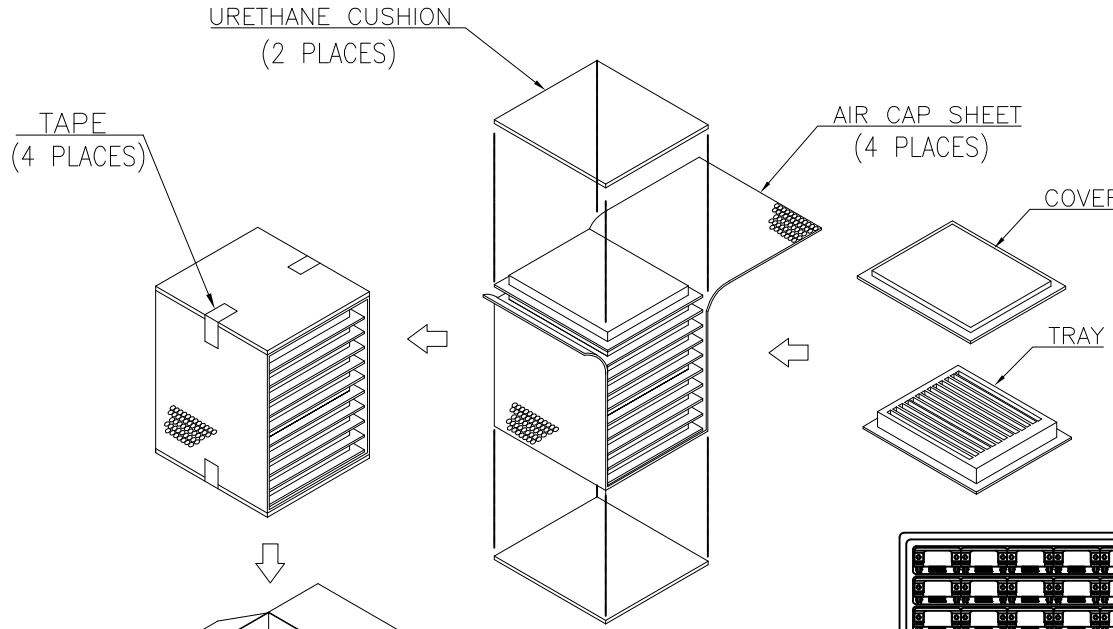
ALL RIGHTS RESERVED.

© COPYRIGHT - BY -

LOC DW DIST

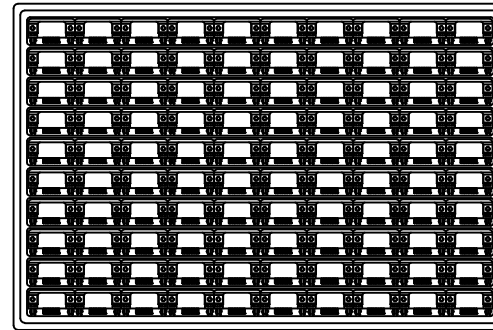
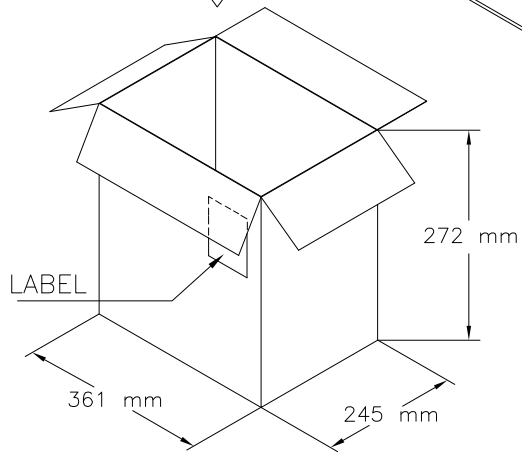
REVISIONS

P	LTR	DESCRIPTION	DATE	DWN	APVD
-	-	SEE SHEET 1.	-	-	-



NOTES:

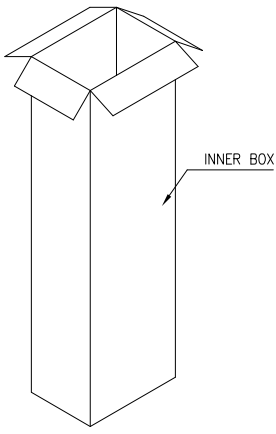
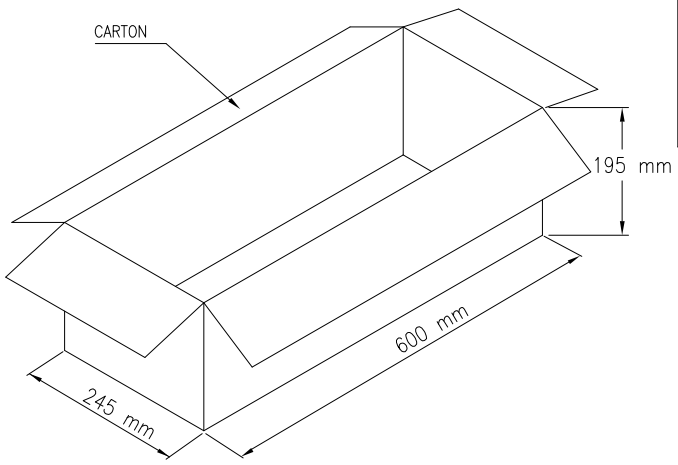
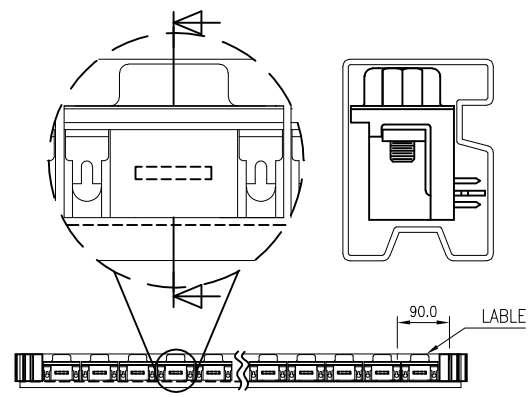
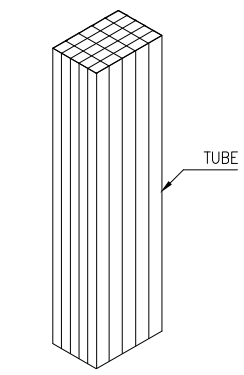
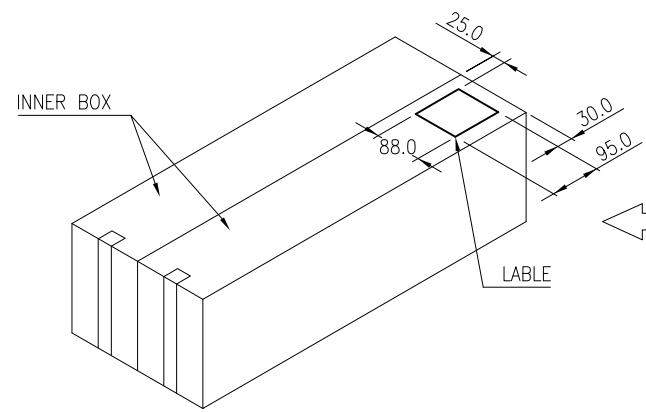
1. MATERIAL:
 - 1.1 TRAY: PVC
 - 1.2 SHIPPING CARTON: CORRUGATED FIBERBOARD
2. DIMENSION:
 - 2.1 TRAY: L=320, W=230, H=18.9
 - 2.2 SHIPPING CARTON: L=361, W=245, H=272
3. QUANTITY:
 - 3.1 PRIMARY PACKING: 100 PCS/TRAY
 - 3.2 SECONDARY PACKING: 10 TRAY/CARTON(1000PCS)
4. CARTON WEIGHT:
 - 4.1 W/O SCREWLOCK
NET WEIGHT: 8.24 Kg
GROSS WEIGHT: 9.24 Kg
 - 4.2 WITH SCREWLOCK
NET WEIGHT: 10.24 Kg
GROSS WEIGHT: 11.24 Kg



THIS DRAWING IS A CONTROLLED DOCUMENT.		DWN	STE TE Connectivity			
		CHK				
DIMENSIONS: MM		APVD	NAME			
		PRODUCT SPEC	RCPT ASM, SZ 1, 15 POSN, RT ANG, FRONT METAL, SHELL AMPLIMITE HD-22			
		APPLICATION SPEC				
MATERIAL		WEIGHT	SIZE	CAGE CODE	DRAWING NO	RESTRICTED TO
FINISH		-	A3	00779	©=1734344	-
CUSTOMER DRAWING			SCALE	SHEET	REV	
			-	2 OF 3	B1	

THIS DRAWING IS UNPUBLISHED. RELEASED FOR PUBLICATION
 © COPYRIGHT - BY - ALL RIGHTS RESERVED.

LOC	DIST	REVISIONS			
P	LTR	DESCRIPTION	DATE	DWN	APVD
-	-	SEE SHEET 1.	-	-	-



- NOTES:
- MATERIAL:
 - 1.1 TRAY: PVC
 - 1.2 SHIPPING CARTON: CORRUGATED FIBERBOARD
 - DIMENSION:
 - 2.1 TRAY: L=560, W=17.8, H=27.4
 - 2.2 SHIPPING CARTON: L=600, W=245, H=195
 - QUANTITY:
 - 3.1 PRIMARY PACKING: 17 PCS/TUBE
 - 3.2 SECONDARY PACKING: 25 TUPE/BOX
 - 3.3 THIRD PACKING: 2 BOX/CARTON(850PCS)
 - CARTON WEIGHT:
 - 4.1 W/O SCREWLOCK
NET WEIGHT: 8.24 Kg
GROSS WEIGHT: 9.24 Kg
 - 4.2 WITH SCREWLOCK
NET WEIGHT: 10 Kg
GROSS WEIGHT: 11 Kg

THIS DRAWING IS A CONTROLLED DOCUMENT.		DWN		STE TE Connectivity	
DIMENSIONS: MM		CHK			
TOLERANCES UNLESS OTHERWISE SPECIFIED:		APVD		NAME	
0 PLC ± -		PRODUCT SPEC		RCPT ASM, SZ 1, 15 POSN, RT ANG, FRONT METAL, SHELL AMPLIMITE HD-22	
1 PLC ± -		APPLICATION SPEC		SIZE	
2 PLC ± -		WEIGHT		CAGE CODE	
3 PLC ± -		CUSTOMER DRAWING		DRAWING NO	
4 PLC ± -		SCALE		RESTRICTED TO	
ANGLES ± -		SHEET		A3 00779	
FINISH		REV		C-1734344	
MATERIAL		3 OF 3		B1	