

THIS DRAWING IS UNPUBLISHED.

RELEASED FOR PUBLICATION

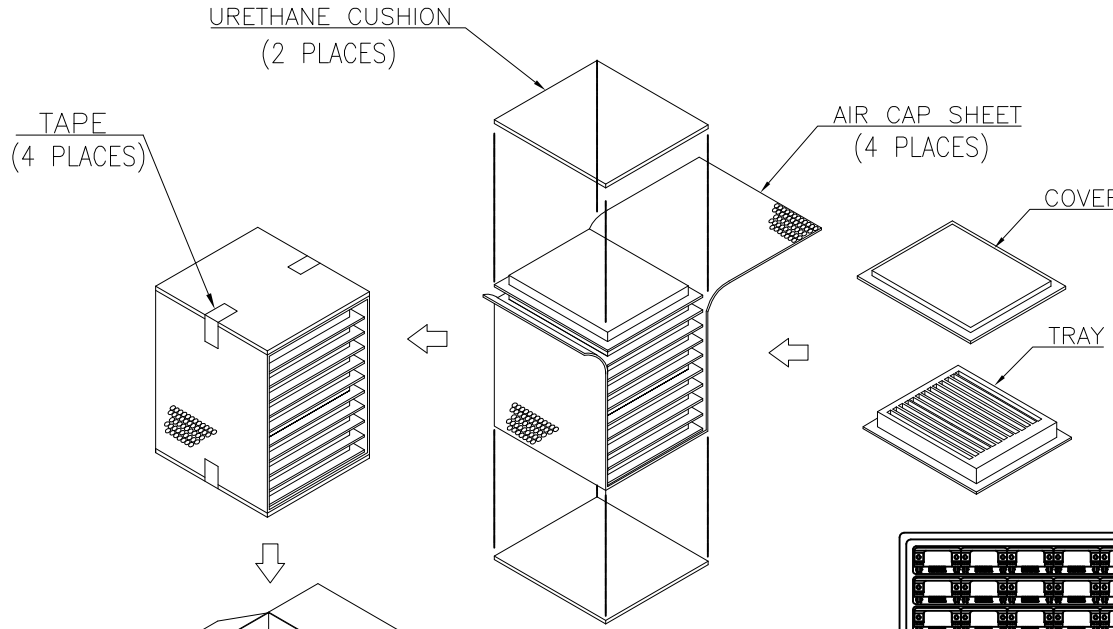
ALL RIGHTS RESERVED.

© COPYRIGHT - BY -

LOC DW DIST

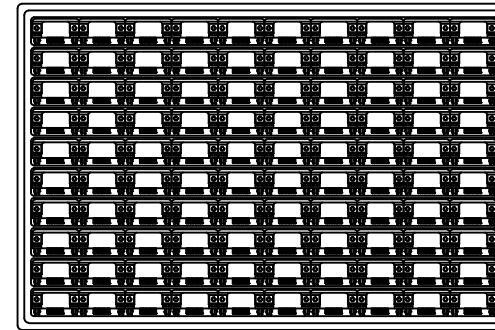
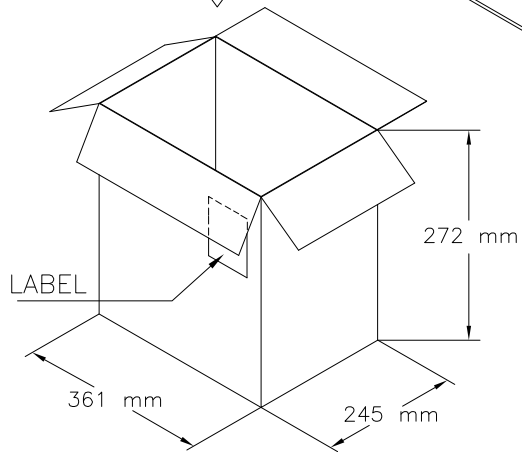
REVISIONS

P	LTR	DESCRIPTION	DATE	DWN	APVD
-	-	SEE SHEET 1.	-	-	-



NOTES:

1. MATERIAL:
 - 1.1 TRAY: PVC
 - 1.2 SHIPPING CARTON: CORRUGATED FIBERBOARD
2. DIMENSION:
 - 2.1 TRAY: L=320, W=230, H=18.9
 - 2.2 SHIPPING CARTON: L=361, W=245, H=272
3. QUANTITY:
 - 3.1 PRIMARY PACKING: 100 PCS/TRAY
 - 3.2 SECONDARY PACKING: 10 TRAY/CARTON(1000PCS)
4. CARTON WEIGHT:
 - 4.1 W/O SCREWLOCK
NET WEIGHT: 8.24 Kg
GROSS WEIGHT: 9.24 Kg
 - 4.2 WITH SCREWLOCK
NET WEIGHT: 10.24 Kg
GROSS WEIGHT: 11.24 Kg



THIS DRAWING IS A CONTROLLED DOCUMENT.

DIMENSIONS: MM



TOLERANCES UNLESS OTHERWISE SPECIFIED:

- 0 PLC ± -
- 1 PLC ± -
- 2 PLC ± -
- 3 PLC ± -
- 4 PLC ± -
- ANGLES ± -

MATERIAL

FINISH

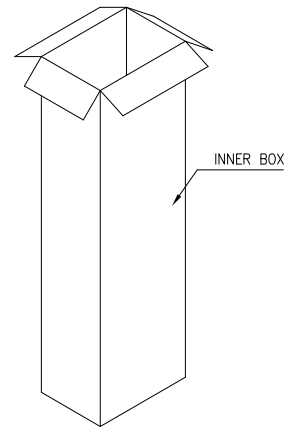
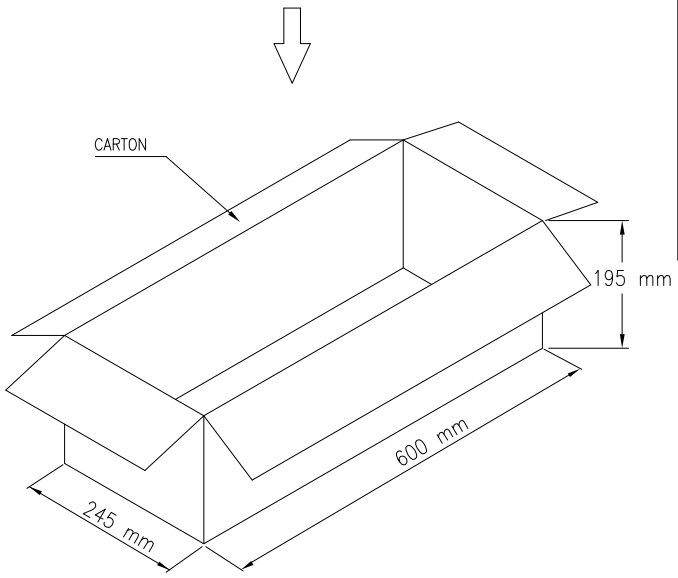
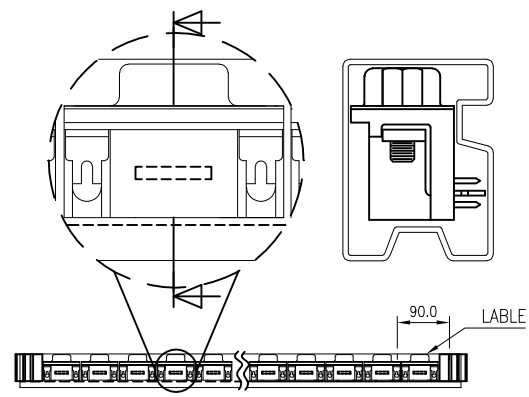
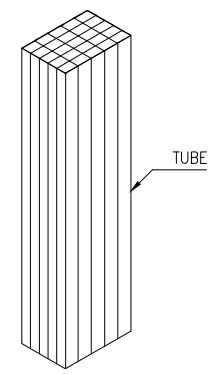
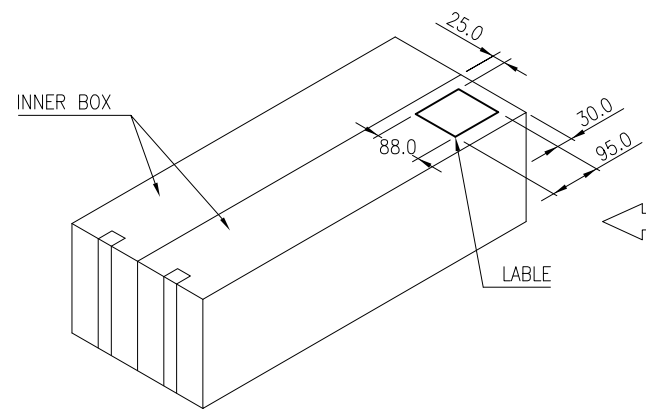
DWN	/
CHK	/
APVD	/
PRODUCT SPEC	-
APPLICATION SPEC	-
WEIGHT	-
CUSTOMER DRAWING	/



NAME				RESTRICTED TO	
RCPT ASM, SZ 1, 15 POSN, RT ANG, FRONT METAL, SHELL AMPLIMITE HD-22				-	
SIZE	CAGE CODE	DRAWING NO	-		
A3	00779	©=1734344	-		
SCALE		SHEET		REV	
-		2 OF 3		B1	

THIS DRAWING IS UNPUBLISHED. RELEASED FOR PUBLICATION
 © COPYRIGHT - BY - ALL RIGHTS RESERVED.

LOC	DIST	REVISIONS			
P	LTR	DESCRIPTION	DATE	DWN	APVD
-	-	SEE SHEET 1.	-	-	-



- NOTES:
- MATERIAL:
 - 1.1 TRAY: PVC
 - 1.2 SHIPPING CARTON: CORRUGATED FIBERBOARD
 - DIMENSION:
 - 2.1 TRAY: L=560, W=17.8, H=27.4
 - 2.2 SHIPPING CARTON: L=600, W=245, H=195
 - QUANTITY:
 - 3.1 PRIMARY PACKING: 17 PCS/TUBE
 - 3.2 SECONDARY PACKING: 25 TUPE/BOX
 - 3.3 THIRD PACKING: 2 BOX/CARTON(850PCS)
 - CARTON WEIGHT:
 - 4.1 W/O SCREWLOCK
NET WEIGHT: 8.24 Kg
GROSS WEIGHT: 9.24 Kg
 - 4.2 WITH SCREWLOCK
NET WEIGHT: 10 Kg
GROSS WEIGHT: 11 Kg

THIS DRAWING IS A CONTROLLED DOCUMENT.		DWN		TE Connectivity	
DIMENSIONS: MM		CHK			
DIMENSIONS: MM 		TOLERANCES UNLESS OTHERWISE SPECIFIED:		NAME	
0 PLC ±		1 PLC ±		APVD	
1 PLC ±		2 PLC ±		PRODUCT SPEC	
2 PLC ±		3 PLC ±		APPLICATION SPEC	
3 PLC ±		4 PLC ±		WEIGHT	
4 PLC ±		ANGLES ±		SIZE	
MATERIAL		FINISH		CAGE CODE	
				DRAWING NO	
				RESTRICTED TO	
				A3 00779	
				C=1734344	
				SCALE	
				SHEET	
				3 of 3	
				REV B1	
				CUSTOMER DRAWING	