

C

S

D

A

2/e

Chapter 8 Overview

- The I/O subsystem
 - I/O buses and addresses
- Programmed I/O
 - I/O operations initiated by program instructions
- I/O interrupts
 - Requests to processor for service from an I/O device
- Direct Memory Access (DMA)
 - Moving data in and out without processor intervention
- I/O data format change and error control
 - Error detection and correction coding of I/O data

C

S

D

A

2/e

Three Requirements of I/O Data Transmission

- 1) Data location
 - Correct device must be selected
 - Data must be addressed within that device
- 2) Data transfer
 - Amount of data varies with device & may need be specified
 - Transmission rate varies greatly with device
 - Data may be output, input, or either with a given device
- 3) Synchronization
 - For an output device, data must be sent only when the device is ready to receive it
 - For an input device, the processor can read data only when it is available from the device

C

S

D

A

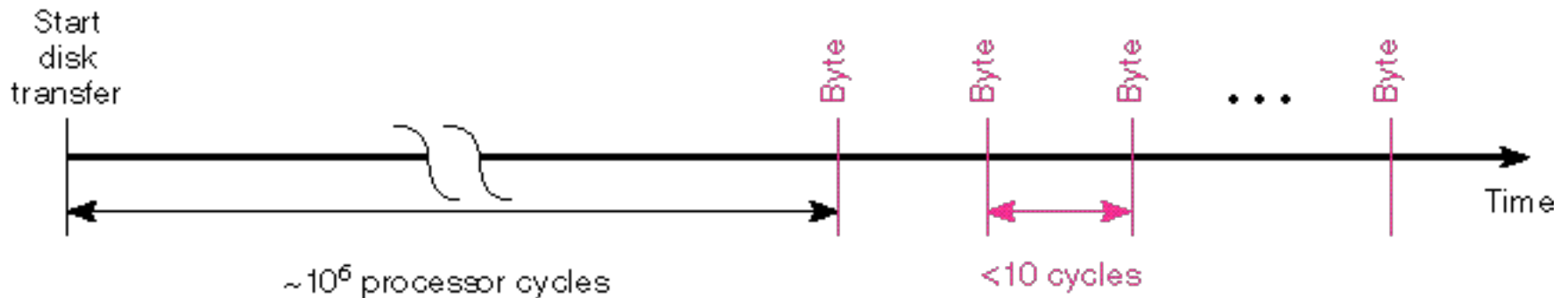
2/e

Location of I/O Data

- Data location may be trivial once the device is determined
 - Character from a keyboard
 - Character out to a serial printer
- Location may involve searching
 - Record number on a tape drive
 - Track seek and rotation to sector on a disk
- Location may not be simple binary number
 - Drive, platter, track, sector, word on a disk cluster

Fig 8.1 Amount and Speed of Data Transfer

- Keyboard delivers one character about every 1/10 second at the fastest
- Rate may also vary, as in disk rotation delay followed by block transfer



Synchronization—I/O Devices are not Timed by Master Clock

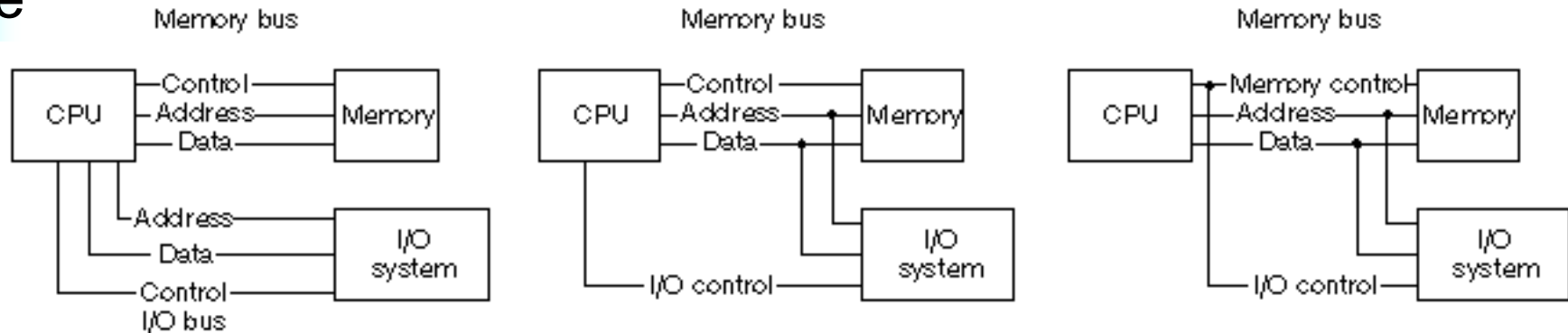
- Not only can I/O rates differ greatly from processor speed, but I/O is asynchronous
- Processor will interrogate state of device and transfer information at clock ticks
- I/O status and information must be stable at the clock tick when it is accessed
- Processor must know when output device can accept new data
- Processor must know when input device is ready to supply new data

C S D A 2/e

Reducing Location and Synch. to Data Transfer

- Since the structure of device data location is device dependent, device should interpret it
 - The device must be selected by the processor, but
 - Location within the device is just information passed to the device
- Synchronization can be done by the processor reading device status bits
 - Data available signal from input device
 - Ready to accept output data from output device
- Speed requirements will require us to use other forms of synchronization: discussed later
 - Interrupts and DMA are examples

Fig 8.2 Separate Memory and I/O Connections to Processor



(a) Separate memory and I/O buses (isolated I/O)

(b) Shared address and data lines

(c) Shared address, data, and control lines (memory-mapped I/O)

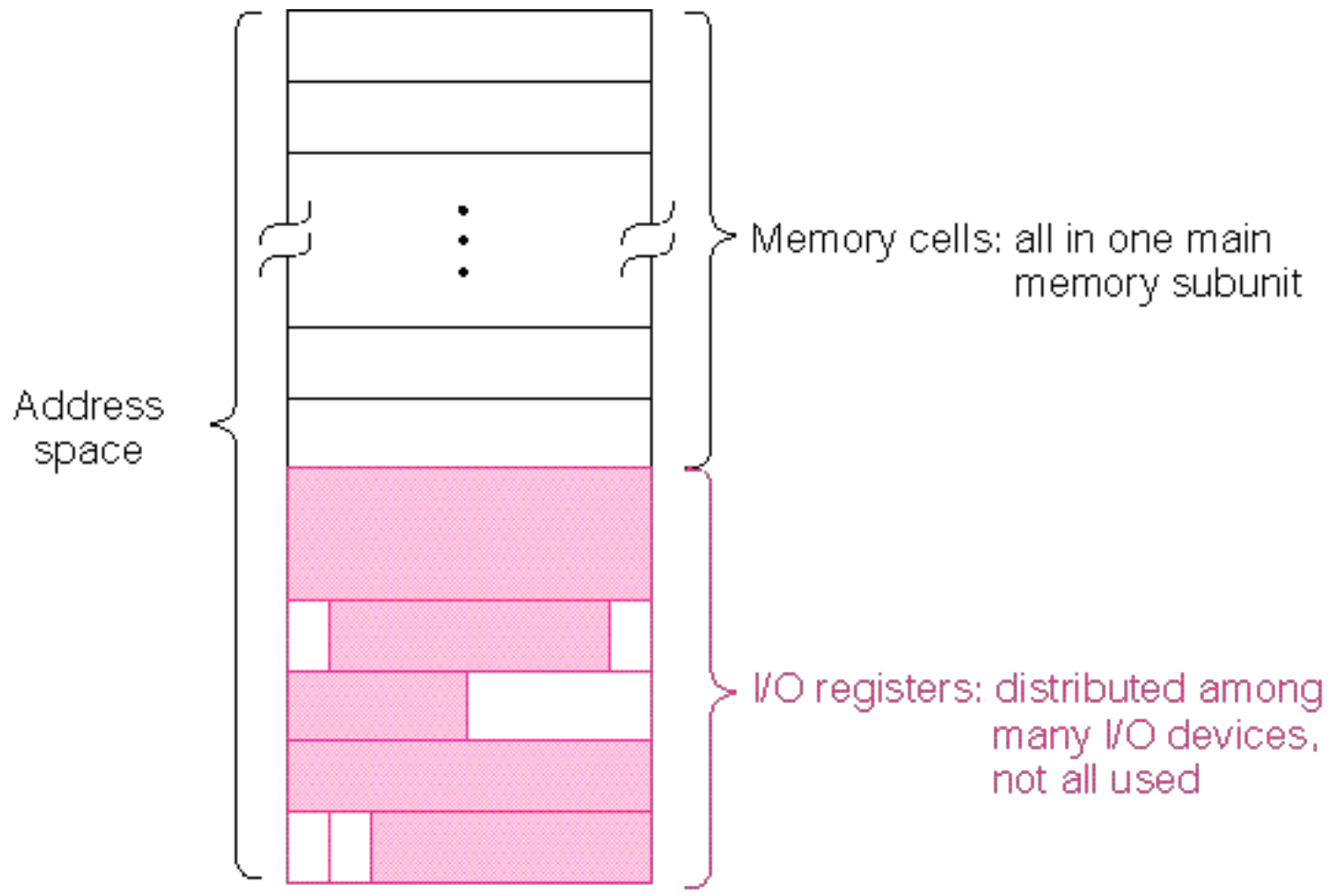
- Allows tailoring bus to its purpose, but
- Requires many connections to CPU (pins)
- Memory & I/O access can be distinguished
- Timing and synch. can be different for each
- Least expensive option
- Speed penalty

Memory Mapped I/O

- Combine memory control and I/O control lines to make one unified bus for memory and I/O
- This makes addresses of I/O device registers appear to the processor as memory addresses
- Reduces the number of connections to the processor chip
 - Increased generality may require a few more control signals
- Standardizes data transfer to and from the processor
 - Asynchronous operation is optional with memory, but demanded by I/O devices

C
S
D
A
2/e

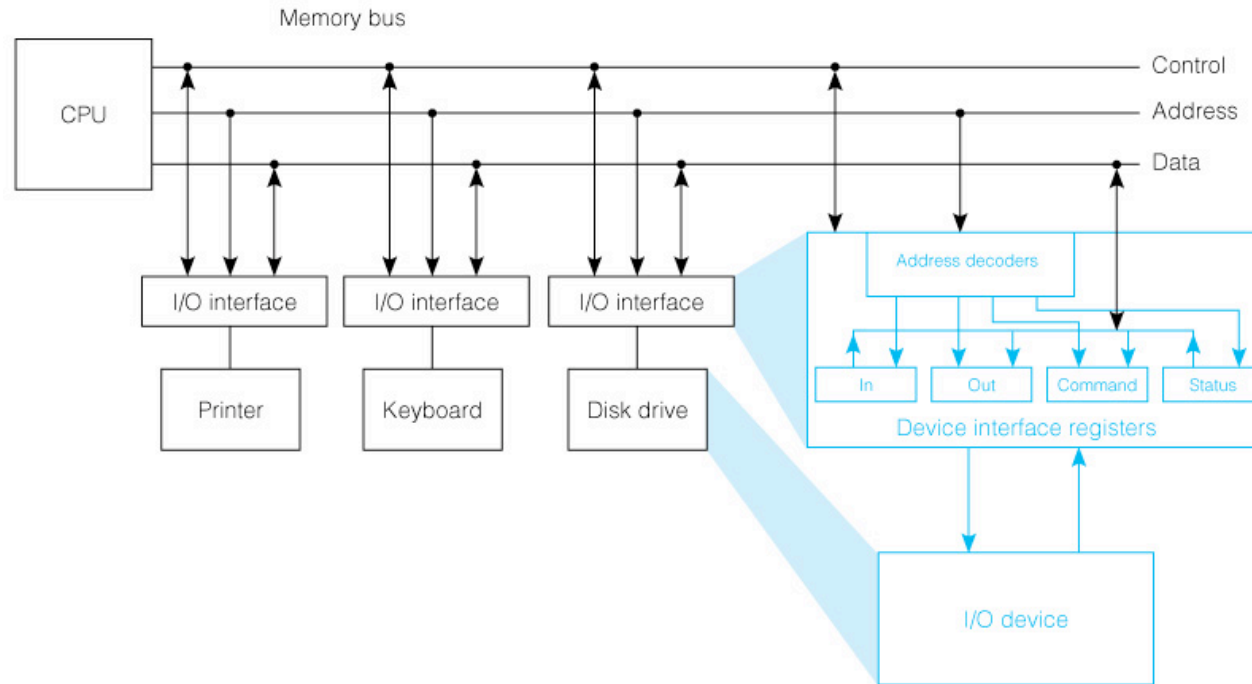
Fig 8.3 Address Space of a Computer Using Memory Mapped I/O



Programmed I/O

- Requirements for a device using programmed I/O
 - Device operations take many instruction times
 - One word data transfers—no burst data transmission
- Program instructions have time to test device status bits, write control bits, and read or write data at the required device speed
- Example status bits:
 - Input data ready
 - Output device busy or off-line
- Example control bits:
 - Reset device
 - Start read or start write

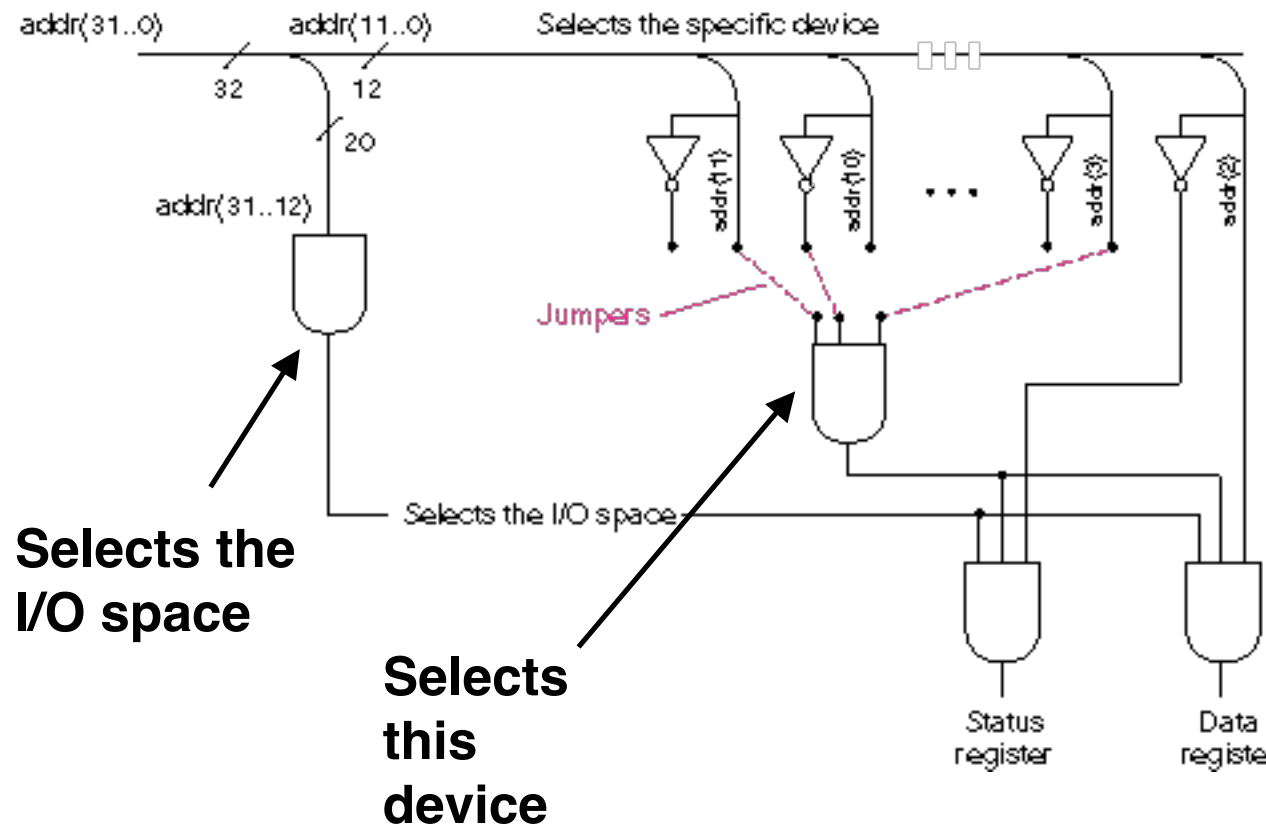
Fig 8.4 Programmed I/O Device Interface Structure



Copyright © 2004 Pearson Prentice Hall, Inc.

- Focus on the interface between the unified I/O and memory bus and an arbitrary device Several device registers (memory addresses) share address decode and control logic

Fig 8.5 SRC I/O Register Address Decoder



- Assumes SRC addresses above $FFFFFF000_{16}$ are reserved for I/O registers
 - Allows for 1024 registers of 32 bits
 - Is in range $FFFF0000_{16}$ to $FFFFFFF_{16}$ addressable by negative displacement

Fig 8.6 Interface Design for SRC Character Output

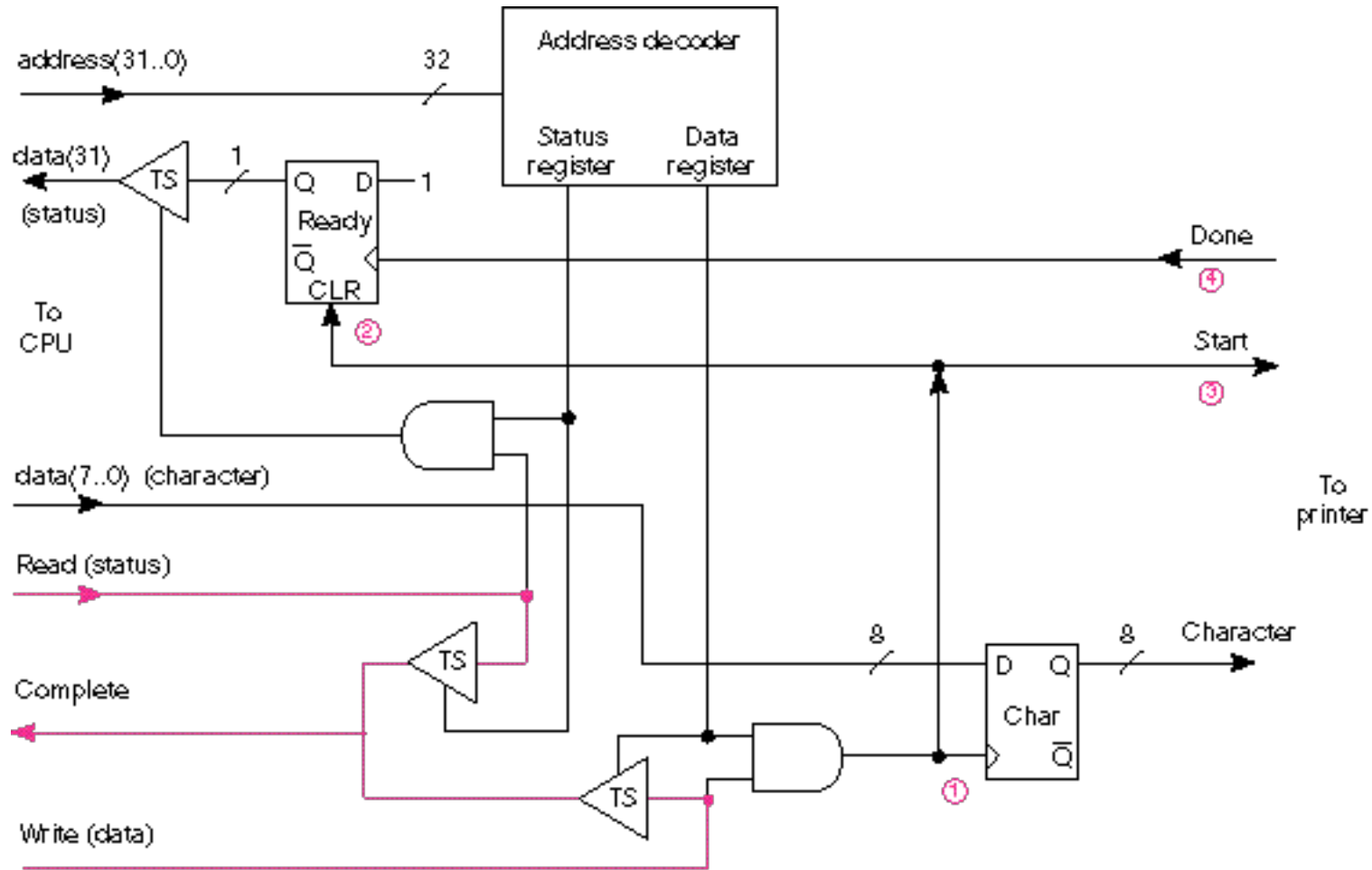
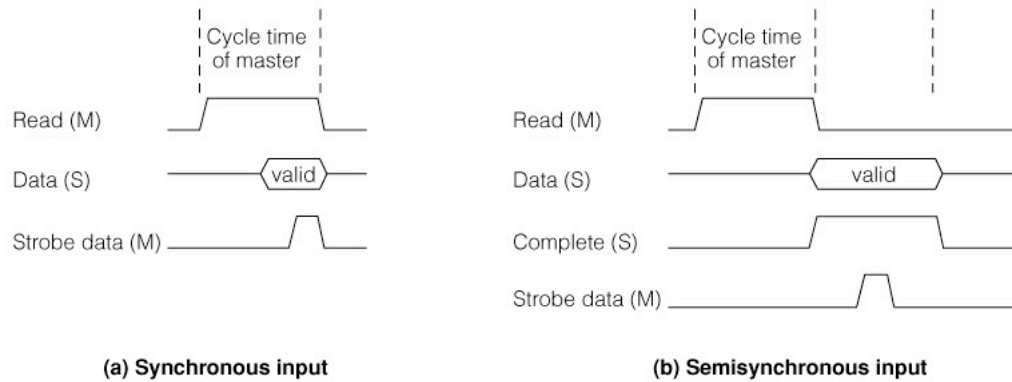
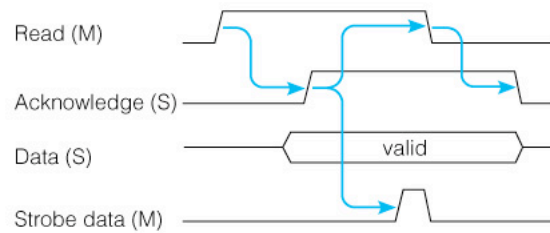


Fig 8.7 Synchronous and Semi-synchronous Data Input

- Used for register to register inside CPU



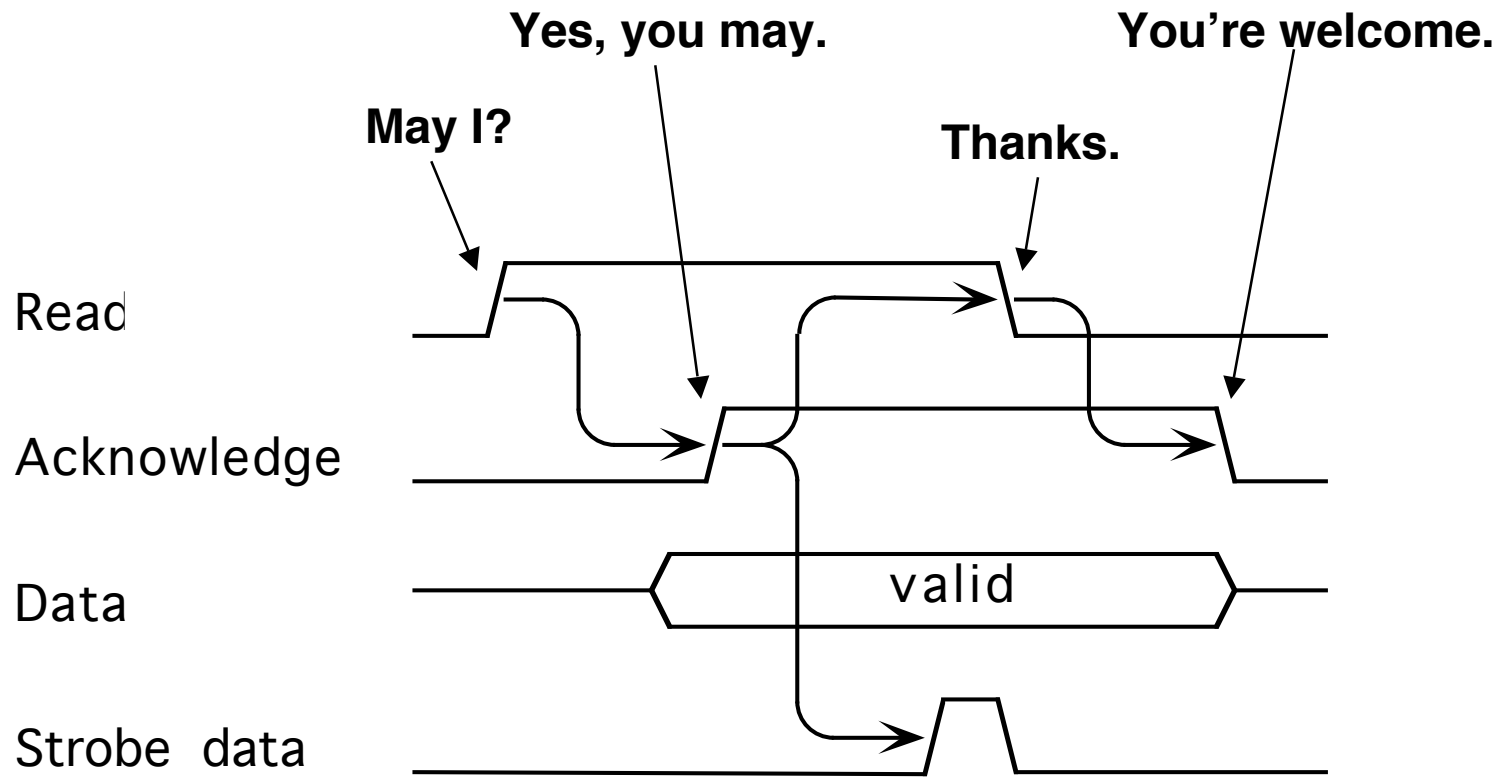
- Used for memory to CPU read with few cycle memory



Copyright © 2004 Pearson Prentice Hall, Inc.

- Used for I/O over longer distances (feet)

Fig 8.7c Asynchronous Data input



(c) Asynchronous input

Example: Programmed I/O Device Driver for Character Output

- Device requirements:
 - 8 data lines set to bits of an ASCII character
 - Start signal to begin operation
 - Data bits held until device returns Done signal
- Design decisions matching bus to device
 - Use low order 8 bits of word for character
 - Make loading of character register signal Start
 - Clear Ready status bit on Start & set it on Done
 - Return Ready as sign of status register for easy testing

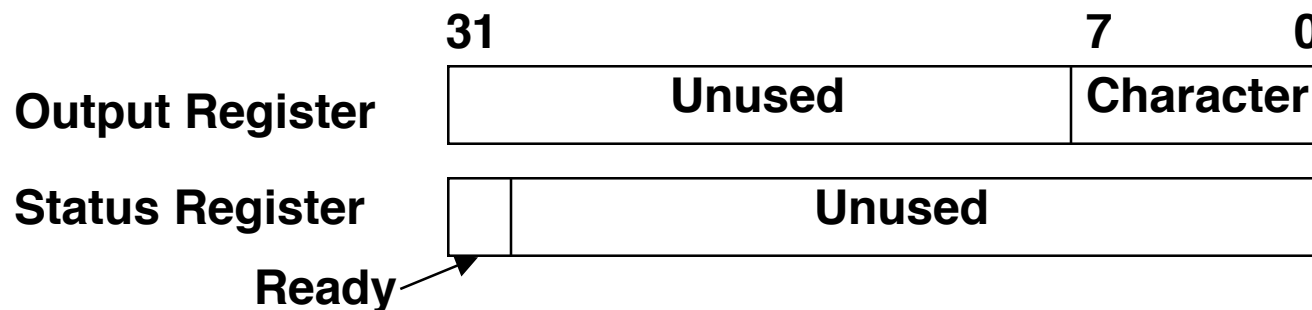
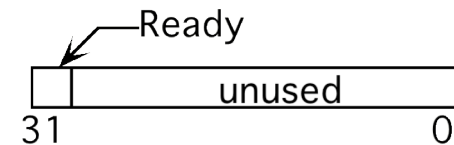
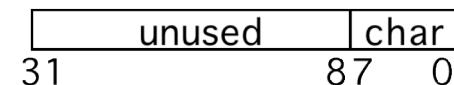


Fig 8.8 Character Output Program Fragment

Status register **COSTAT = FFFFF110H**



Output register **COUT = FFFFF114H**



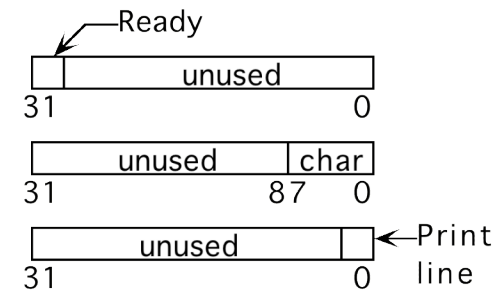
```

lar   r3, Wait      ;Set branch target for wait.
ldr   r2, Char      ;Get character for output.
Wait: ld    r1, COSTAT ;Read device status register,
brpl  r3, r1        ; test for ready, and repeat if not.
st    r2, COUT      ;Output character and start device.
```

- For readability: I/O registers are all caps., program locations have initial cap., and instruction mnemonics are lower case
- A 10 MIPS SRC would execute 10,000 instructions waiting for a 1,000 character/sec printer

Program Fragment for 80 Character per Line Printer

Status Register LSTAT = FFFFF130H
Output Register LOUT = FFFFF134H
Command Register LCMD = FFFFF138H



```

        lar    r1, Buff    ;Set pointer to character buffer.
        la    r2, 80      ;Initialize character counter and
        lar    r3, Wait    ; branch target.
Wait:   ld     r0, LSTAT   ;Read Ready bit,
        brpl  r3, r0      ; test, and repeat if not ready.
        ld     r0, 0(r1)  ;Get next character from buffer,
        st     r0, LOUT   ; and send to printer.
        addi  r1, r1, 4   ;Advance character pointer, and
        addi  r2, r2, -1  ; count character.
        brnz  r3, r2      ;If not last, go wait for ready.
        la    r0, 1       ;Get a print line command,
        st     r0, LCMD   ; and send it to the printer.
    
```

C

S

D

A

2/e

Multiple Input Device Driver Software

- 32 low speed input devices
 - Say, keyboards at ≈ 10 characters/sec
 - Max rate of one every 3 ms
- Each device has a control/status register
 - Only Ready status bit, bit 31, is used
 - Driver works by polling (repeatedly testing) Ready bits
- Each device has an 8 bit input data register
 - Bits 7..0 of 32 bit input word hold the character
- Software controlled by pointer and Done flag
 - Pointer to next available location in input buffer
 - Device's done is set when CR received from device
 - Device is idle until other program (not shown) clears done

Driver Program Using Polling for 32 Input Devices

FFFFFF300	Dev 0 CTL
FFFFFF304	Dev 0 IN
FFFFFF308	Dev 1 CTL
FFFFFF30C	Dev 1 IN
FFFFFF310	Dev 2 CTL
	•
	•
	•

- 32 pairs of control/status and input data registers

r0 - working reg r1 - input char.

r2 - device index r3 - none active

```

CICTL .equ FFFFF300H ;First input control register.
CIN .equ FFFFF304H ;First input data register.
CR .equ 13 ;ASCII carriage return.
Bufp: .dcw 1 ;Loc. for first buffer pointer.
Done: .dcw 63 ;Done flags and rest of pointers.
Driver: lar r4, Next ;Branch targets to advance to next
        lar r5, Check ; character, check device active,
        lar r6, Start ; and start a new polling pass.

```

C

S

D

A

2/e

Polling Driver for 32 Input Devices—continued

```

Start:  la    r2, 0           ;Point to first device, and
        la    r3, 1         ; set all inactive flag.
Check:  ld    r0,Done(r2)   ;See if device still active, and
        brmi  r4, r0        ; if not, go advance to next device.
        ld    r3, 0         ;Clear the all inactive flag.
        ld    r0,CICTL(r2)  ;Get device ready flag, and
        brpl  r4, r0        ; go advance to next if not ready.
        ld    r0,CIN(r2)    ;Get character and
        ld    r1,Bufp(r2)   ; correct buffer pointer, and
        st    r0, 0(r1)     ; store character in buffer.
        addi  r1,r1,4       ;Advance character pointer,
        st    r1,Bufp(r2)   ; and return it to memory.
        addi  r0,r0,-CR     ;Check for carriage return, and
        brnz  r4, r0        ; if not, go advance to next device.
        la    r0, -1        ;Set done flag to -1 on
        st    r0,Done(r2)   ; detecting carriage return.
Next:   addi  r2,r2,8       ;Advance device pointer, and
        addi  r0,r2,-256    ; if not last device,
        brnz  r5, r0        ; go check next one.
        brzr  r6, r3       ;If a device is active, make a new pass.

```

C

S

D

A

2/e

Characteristics of the Polling Device Driver

- If all devices active and always have char. ready,
- Then 32 bytes input in 547 instructions
- This is data rate of 585KB/s in a 10MIPS CPU
- But, if CPU just misses setting of Ready, 538 instructions are executed before testing it again
- This 53.8 μ sec delay means that a single device must run at less than 18.6Kchars/s to avoid risk of losing data
- Keyboards are thus slow enough

C

S

D

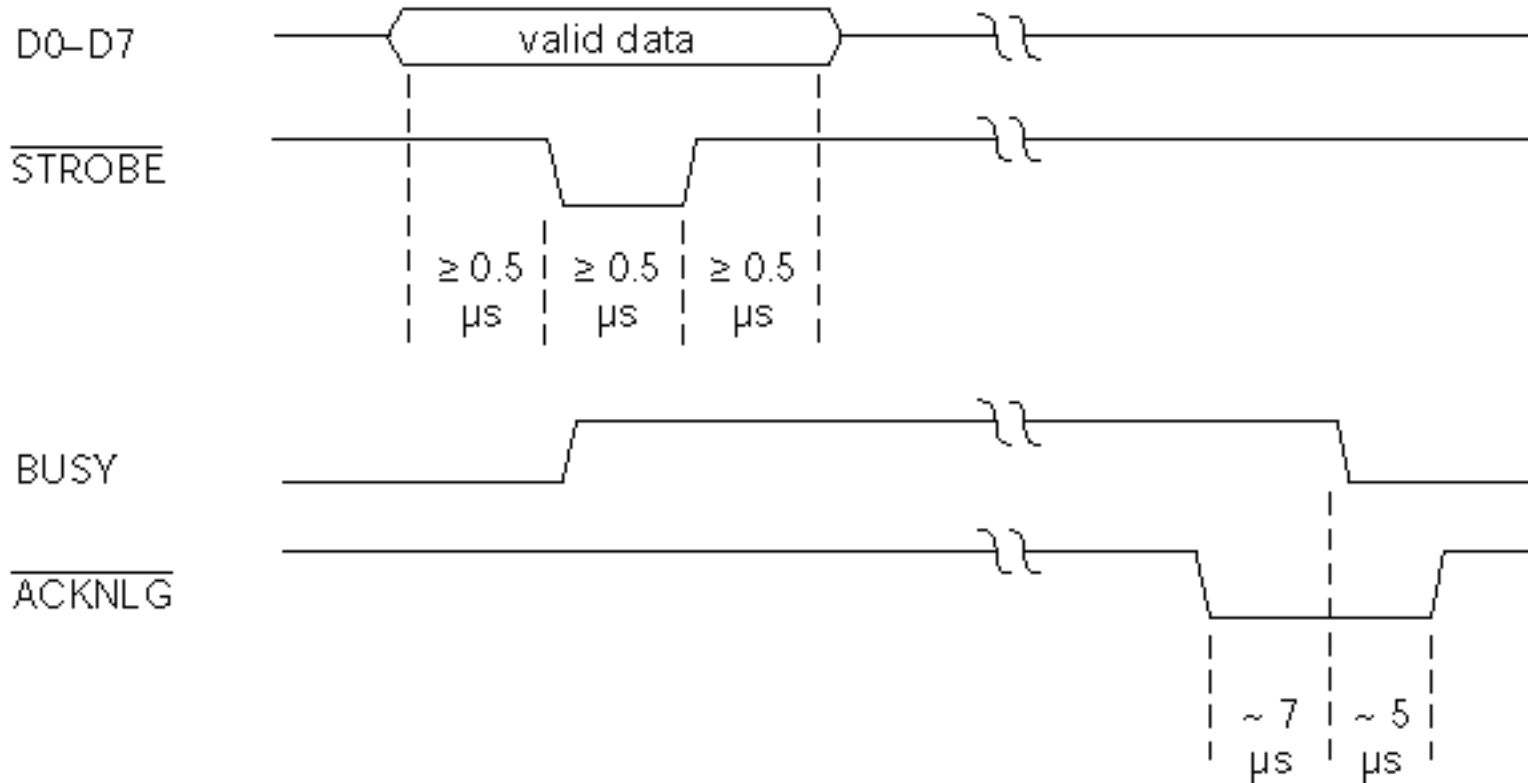
A

2/e

Tbl 8.1 The Centronics Printer Interface

Name	In/Out	Description
$\overline{\text{STROBE}}$	Out	Data out strobe
D0	Out	Least significant data bit
D1	Out	Data bit
...
D7	Out	Most significant data bit
$\overline{\text{ACKNLG}}$	In	Pulse on done with last char.
BUSY	In	Not ready
$\overline{\text{PE}}$	In	No paper when high
SLCT	In	Pulled high
$\overline{\text{AUTOFEEDXT}}$	Out	Auto line feed
$\overline{\text{INIT}}$	Out	Initialize printer
$\overline{\text{ERROR}}$	In	Can't print when low
$\overline{\text{SLCTIN}}$	Out	Deselect protocol

Fig 8.11 Centronics Interface Timing



- Minimum times specified for output signals
- Nominal times specified for input signals

C

S

D

A

2/e

I/O Interrupts

- Key idea: instead of processor executing wait loop, device requests interrupt when ready
- In SRC the interrupting device must return the vector address and interrupt information bits
- Processor must tell device when to send this information—done by acknowledge signal
- Request and acknowledge form a communication handshake pair
- It should be possible to disable interrupts from individual devices

C

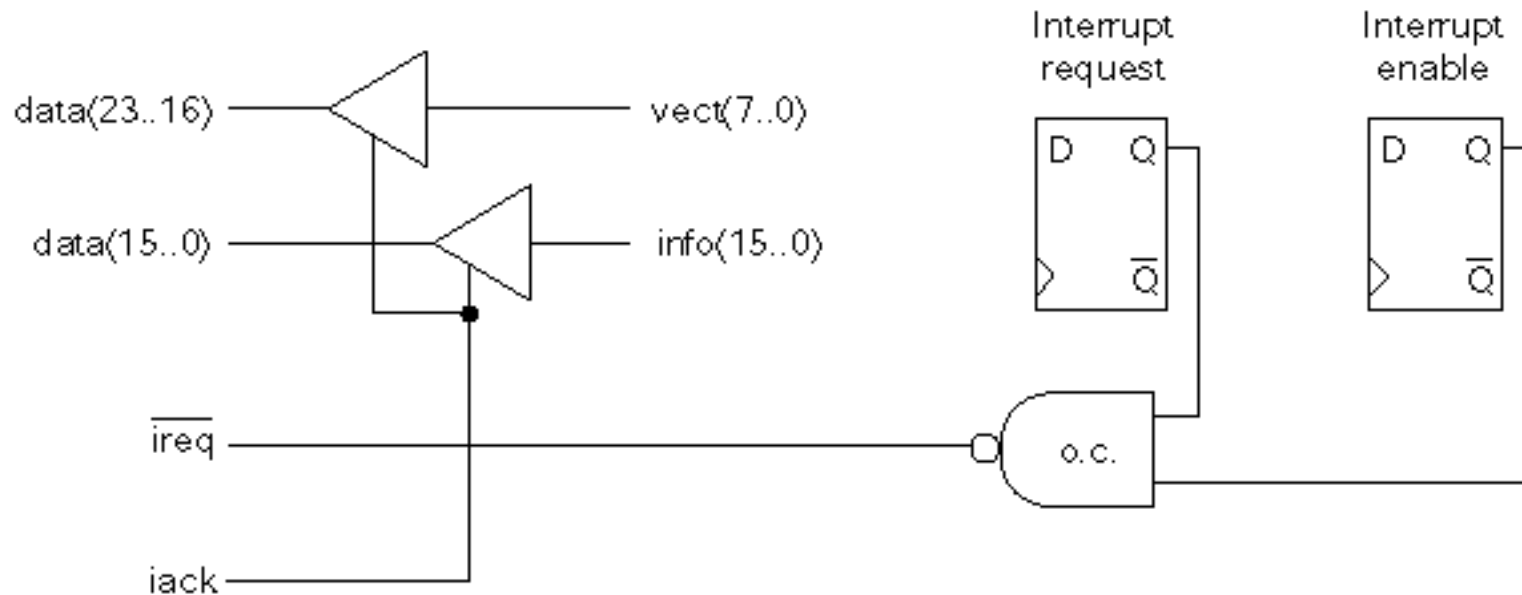
S

D

A

2/e

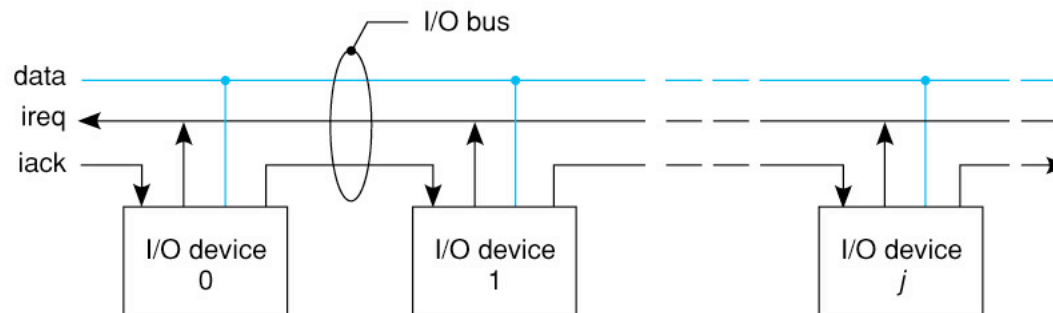
Fig 8.12 Simplified Interrupt Interface Logic



- Request and enable flags per device
- Returns vector and interrupt information on bus when acknowledged

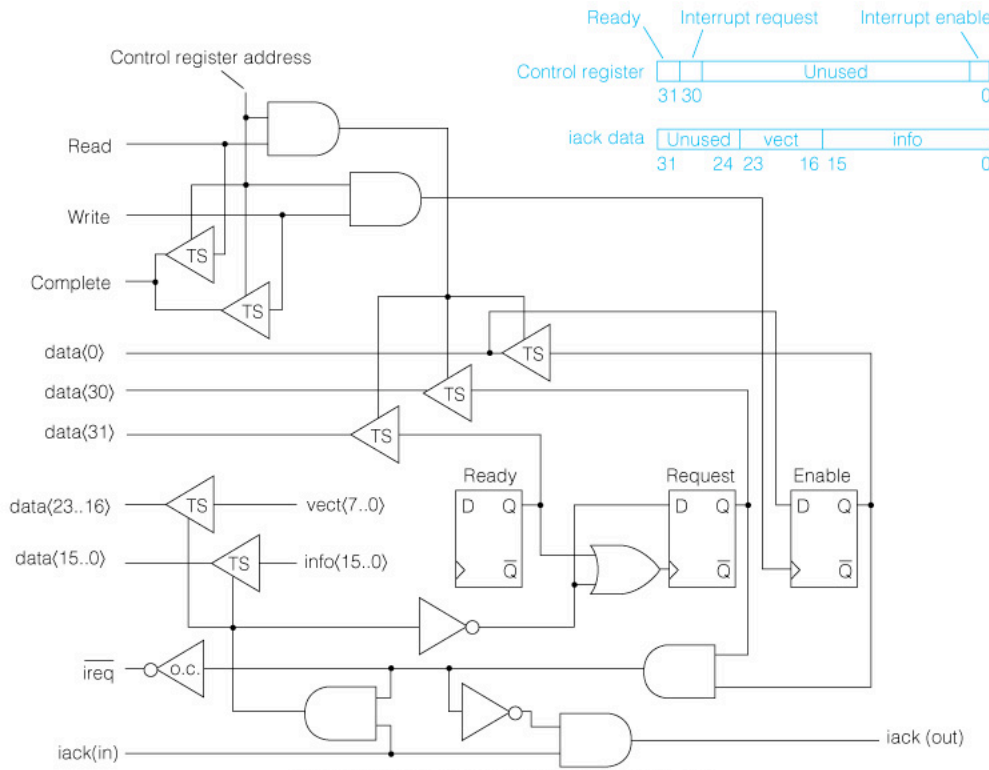
Fig 8.13 Daisy-Chained Interrupt Acknowledge Signal

- How does acknowledge signal select one and only one device to return interrupt info.?
- One way is to use a priority chain with acknowledge passed from device to device



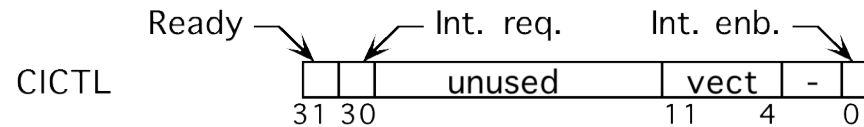
Copyright © 2004 Pearson Prentice Hall, Inc.

Fig 8.14 Interrupt Logic for an SRC I/O Interface



- Request set by Ready, cleared by acknowledge
- iack only sent out if this device not requesting

Getline Subroutine for Interrupt Driven Character I/O



;Getline is called with return address in R31 and a pointer to a character buffer in R1. It will input characters up to a carriage return under interrupt control, setting Done to -1 when complete.

```

CR      .equ    13           ;ASCII code for carriage return.
CVec    .equ    01F0H       ;Character input interrupt vector address.
Bufp:   .dw     1           ;Pointer to next character location.
Save:   .dw     2           ;Save area for registers on interrupt.
Done:   .dw     1           ;Flag location is -1 if input complete.
Getln:  st      r1, Bufp    ;Record pointer to next character.
        edi     ;Disable interrupts while changing mask.
        la     r2, 1F1H     ;Get vector address and device enable bit
        st     r2, CICTL   ; and put into control register of device.
        la     r3, 0       ;Clear the
        st     r3, Done    ; line input done flag.
        een    ;Enable Interrupts
        br     r31        ; and return to caller.

```

C

S

D

A

2/e

Interrupt Handler for SRC Character Input

```

.org    CVec          ;Start handler at vector address.
str     r0, Save      ;Save the registers that
str     r1, Save+4    ; will be used by the interrupt handler.
ldr     r1, Bufp      ;Get pointer to next character position.
ld      r0, CIN       ;Get the character and enable next input.
st      r0, 0(r1)     ;Store character in line buffer.
addi   r1, r1, 4      ;Advance pointer and
str     r1, Bufp      ; store for next interrupt.
lar     r1, Exit      ;Set branch target.
addi   r0,r0, -CR     ;Carriage return? addi with minus CR.
brnz   r1, r0        ;Exit if not CR, else complete line.
la      r0, 0         ;Turn off input device by
st      r0, CICTL     ; disabling its interrupts.
la      r0, -1        ;Get a -1 indicator, and
str     r0, Done      ; report line input complete.
Exit:   ldr     r0, Save ;Restore registers
        ldr     r1, Save+4 ; of interrupted program.
        rfi      ;Return to interrupted program.

```

C

S

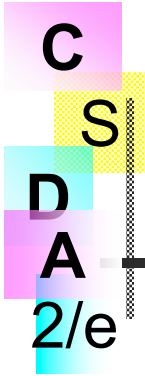
D

A

2/e

General Functions of an Interrupt Handler

- 1) Save the state of the interrupted program
- 2) Do programmed I/O operations to satisfy the interrupt request
- 3) Restart or turn off the interrupting device
- 4) Restore the state and return to the interrupted program



Interrupt Response Time

- Response to another interrupt is delayed until interrupts re-enabled by rfi
- Character input handler disables interrupts for a maximum of 17 instructions
- If the CPU clock is 20MHz, it takes 10 cycles to acknowledge an interrupt, and average execution rate is 8 CPI

Then 2nd interrupt could be delayed by

$$(10 + 17 \times 8) / 20 = 7.3 \mu\text{sec}$$

C

S

D

A

2/e

Nested Interrupts—Interrupting an Interrupt Handler

- Some high speed devices have a deadline for interrupt response
 - Longer response times may miss data on a moving medium
 - A real time control system might fail to meet specifications
- To meet a short deadline, it may be necessary to interrupt the handler for a slow device
- The higher priority interrupt will be completely processed before returning to the interrupted handler
- Hence the designation nested interrupts
- Interrupting devices are priority ordered by shortness of their deadlines

C

S

D

A

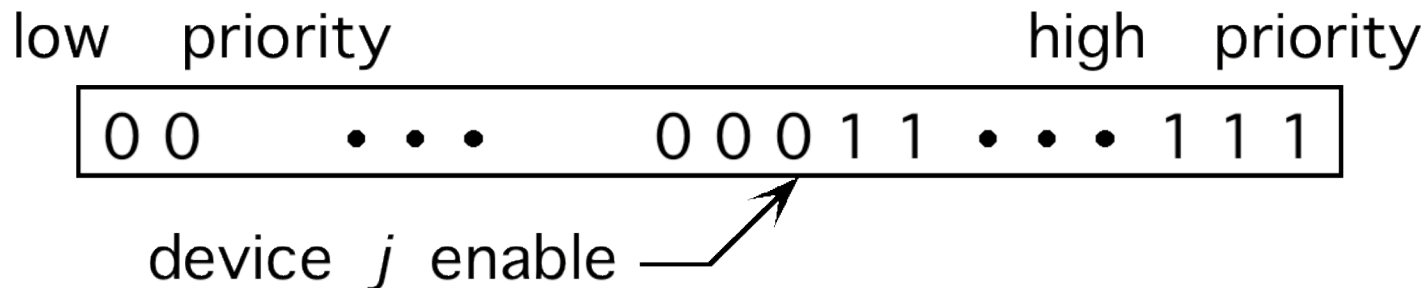
2/e

Steps in the Response of a Nested Interrupt Handler

- 1) Save the state changed by interrupt (IPC & II);
- 2) Disable lower priority interrupts;
- 3) Re-enable exception processing;
- 4) Service interrupting device;
- 5) Disable exception processing;
- 6) Re-enable lower priority interrupts;
- 7) Restore saved interrupt state (IPC & II)
- 8) Return to interrupted program and re-enable exceptions

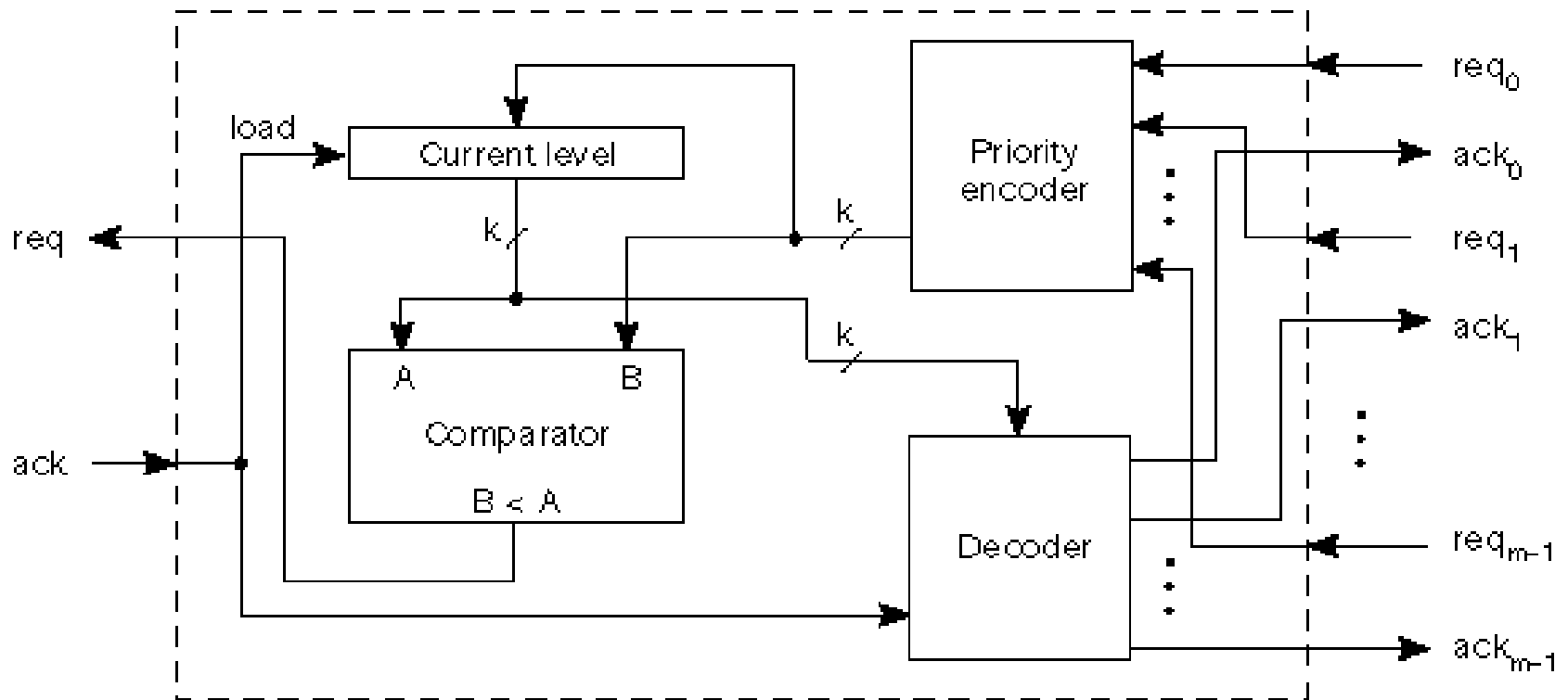
Fig 8.16 Interrupt Masks for Executing device *j* Handler

- Conceptually, a priority interrupt scheme could be managed using device enable bits
- Order the bits from left to right in order of increasing priority to form an interrupt mask
- Value of the mask when executing device *j* interrupt handler is



C
S
D
A
2/e

Fig 8.17 Priority Interrupt System with $m = 2^k$ Levels



C

S

D

A

2/e

Direct Memory Access (DMA)

- Allows external devices to access memory without processor intervention
- Requires a DMA interface device
- Must be “set up” or programmed, and transfer initiated.

C

S

D

A

2/e

Steps a DMA Device Interface Must Take to Transfer A Block of Data

1. Become bus master
2. Send memory address and R/W signal
3. Synch. sending and receiving of data using complete
4. Release bus as needed (perhaps after each xfer)
5. Advance memory address to point to next data item
6. Count number of items transferred, check for end of data block
7. Repeat if more data to be transferred

Fig 8.18 I/O Interface Architecture for a DMA Device

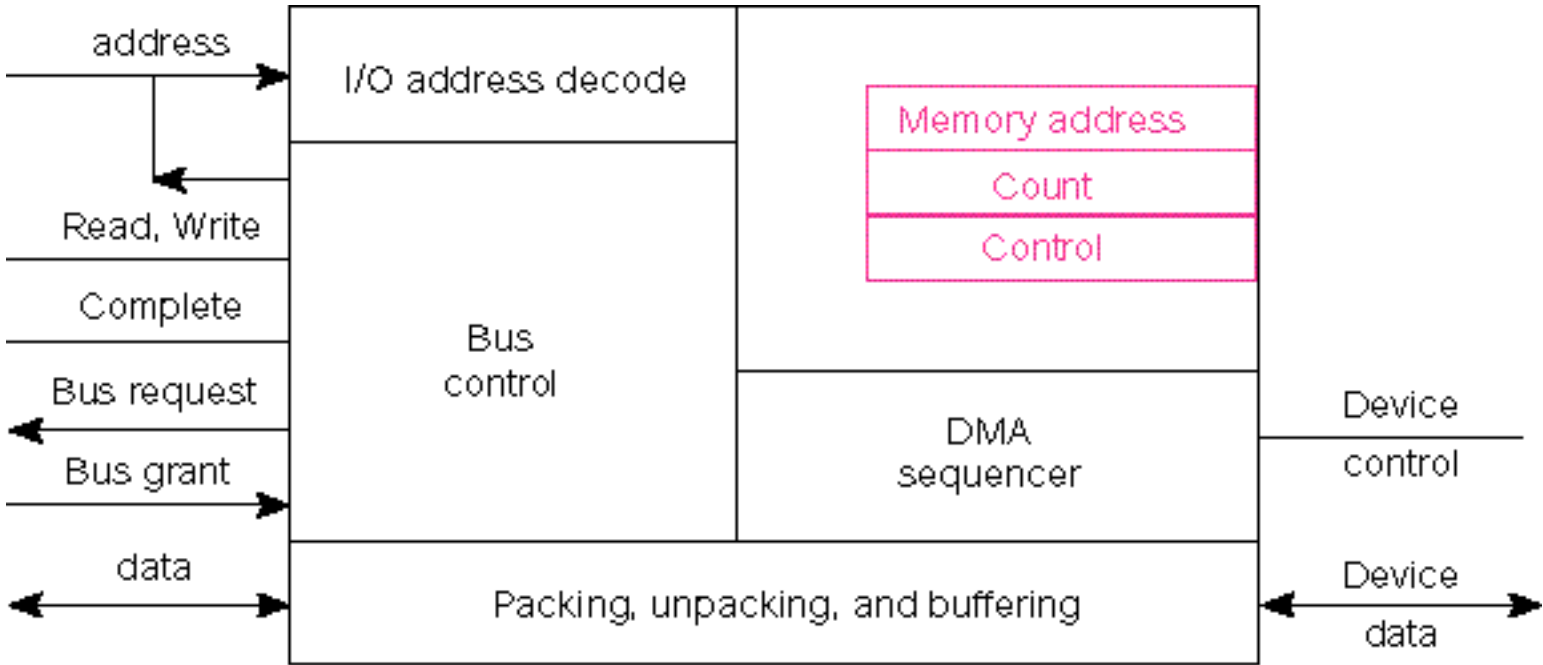
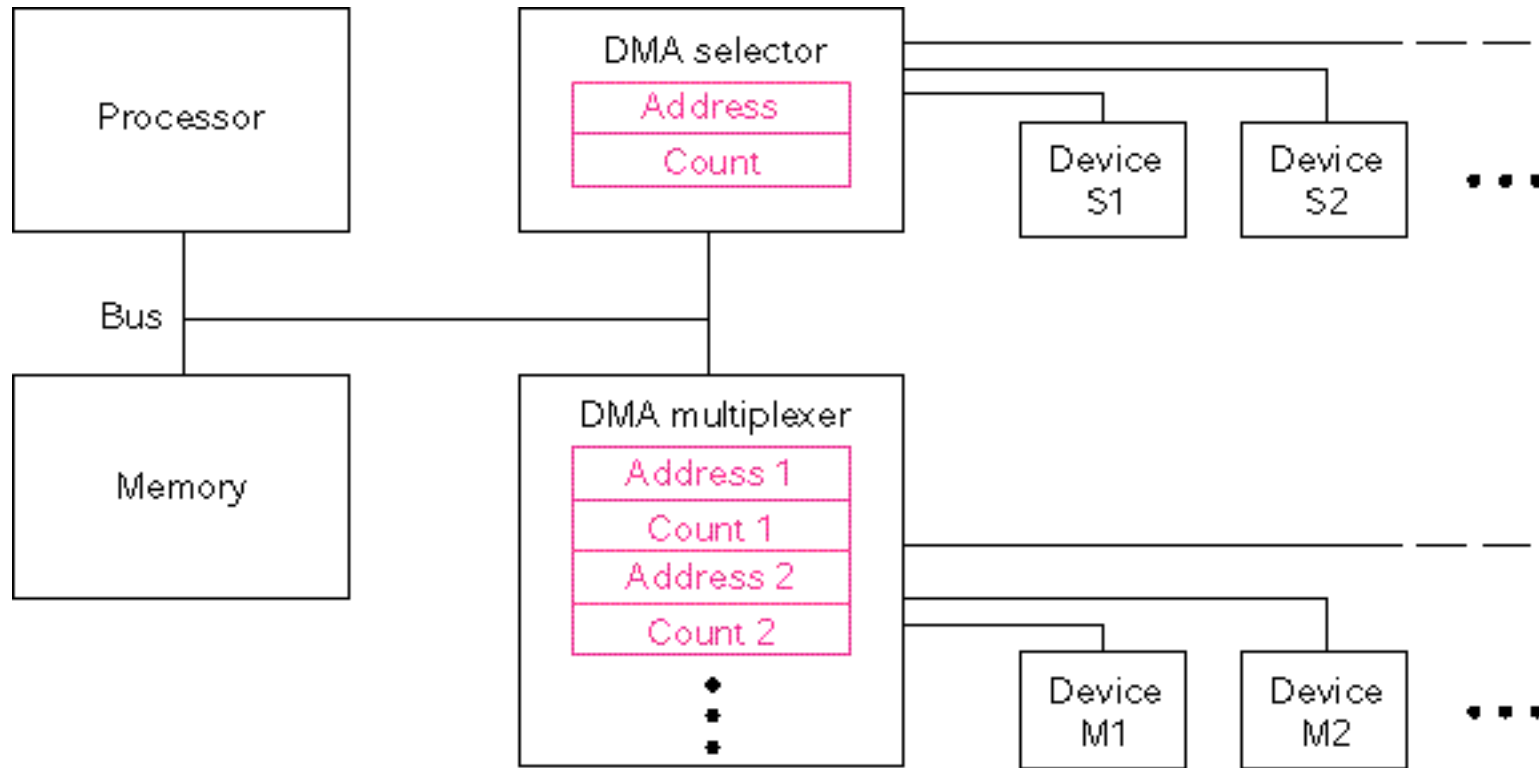


Fig 8.19 Multiplexer and Selector DMA Channels



C

S

D

A

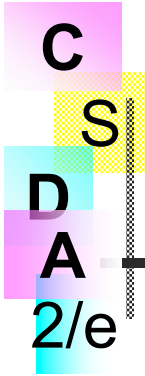
2/e

Error Detection and Correction

- Bit Error Rate, BER, is the probability that, when read, a given bit will be in error.
- BER is a statistical property
- Especially important in I/O, where noise and signal integrity cannot be so easily controlled
- 10^{-18} inside processor
- 10^{-8} - 10^{-12} or worse in outside world
- Many techniques
 - Parity check
 - SECDED Encoding
 - CRC

Parity Checking

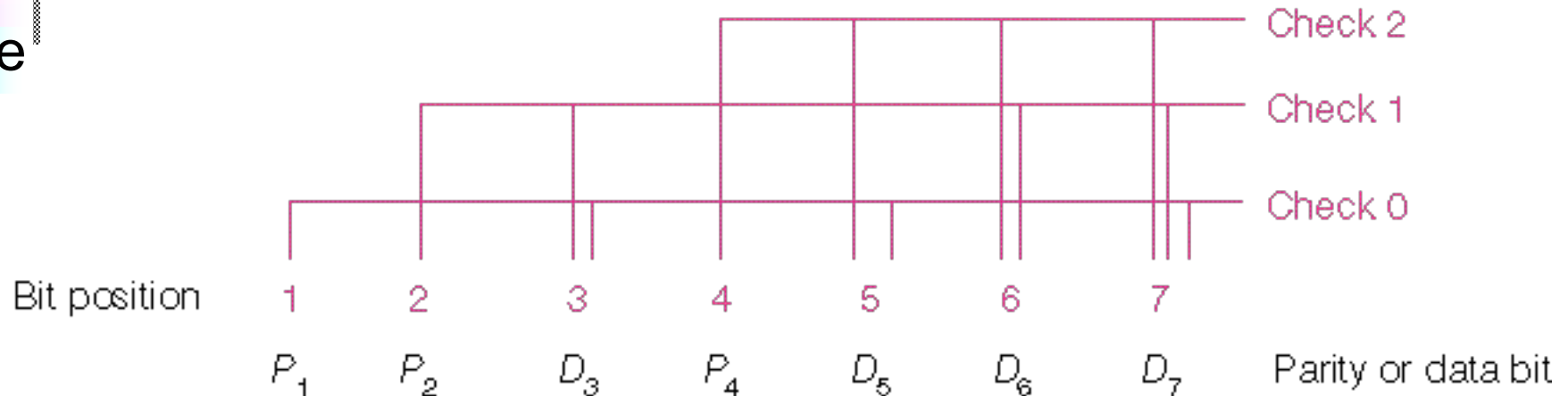
- Add a Parity Bit to the word
- Even Parity: Make the parity bit 1 bit if needed to make number 1 of bits even, else make it 0
- Odd Parity: Make the parity bit a 1 bit if needed to make number of 1 bits odd, else make it 0
- Example: for word 10011010, to add odd parity bit:
10011010**1**



Hamming Codes

- Hamming codes are a class of codes that use combinations of parity checks to both detect and correct errors.
- They add a group of parity check bits to the data bits.
- For ease of visualization, intersperse the parity bits within the data bits; reserve bit locations whose bit numbers are powers of 2 for the parity bits. Number the bits from 1 to r , starting at 1
- A given parity bit is computed from data bits whose bit numbers contain a 1 at the parity bit number.

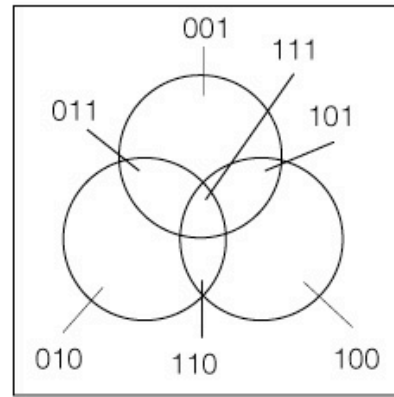
Fig 8.20: Multiple Parity Checks Making up a Hamming Code



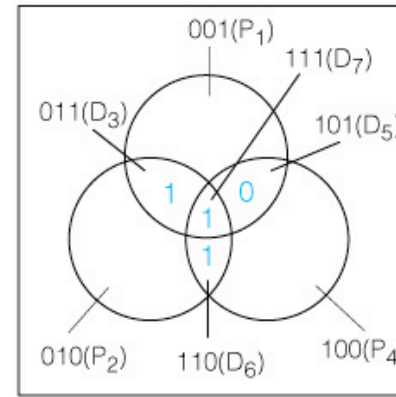
- Add parity bits, P_i , to data bits, D_i
- Reserve bit numbers that are a power of 2 for Parity Bits
- Example: $P_1=001$, $P_2 = 010$, $P_4=100$, etc.
- Each parity bit, P_i , is computed over those data bits that have a "1" at the bit number of the parity bit.
- Example: $P_2(010)$ is computed from $D_3 (011)$, $D_6 (110)$, $D_7(111)$, ...
- Thus each bit takes part in a different combination of parity checks.
- When the word is checked, if only one bit is in error, all the parity bits that use it in their computation will be incorrect.

Figure 8.21 Motivating Example: use the Venn Diagram to Explain Error Detection and Correction using the Hamming Code

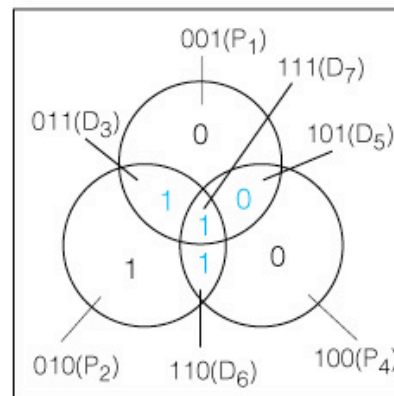
- b. insert data
- c. Sender omputes and inserts even parity bits
- d. Receiver recomputes parity bits, detects and corrects error.



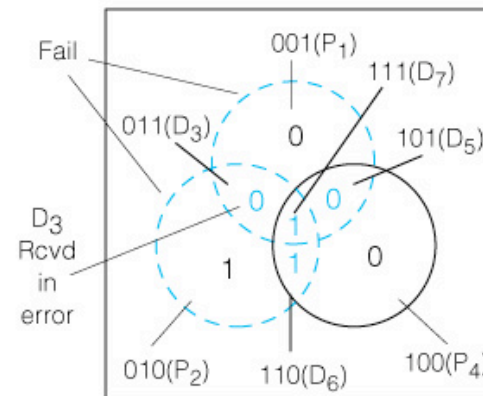
a. Venn diagram of 3 binary variables. ABC.



b. Data inserted: 1011 at D₃D₅D₆D₇



c. Even parity bits inserted: 010 at P₁P₂P₄



d. D₃ Rcvd in error: P₁ & P₂ fail

Copyright © 2004 Pearson Prentice Hall, Inc.

C

S

D

A

2/e

Example 8.1 Encode 1011 Using the Hamming Code and Odd Parity

- Insert the data bits: $P_1 P_2 1 P_4 0 1 1$
- P_1 is computed from $P_1 \oplus D_3 \oplus D_5 \oplus D_7 = 1$, so $P_1 = 1$.
- P_2 is computed from $P_2 \oplus D_3 \oplus D_6 \oplus D_7 = 1$, so $P_2 = 0$.
- P_4 is computed from $P_4 \oplus D_5 \oplus D_6 \oplus D_7 = 1$, so $P_4 = 1$.
- The final encoded number is 1 0 1 1 0 1 1.
- Note that the Hamming encoding scheme assumes that at most one bit is in error.

C

S

D

A

2/e

SECDED (Single Error Correct, Double Error Detect)

Add another parity bit, at position 0, which is computed to make the parity over all bits, data and parity, even or odd.

- If one bit is in error, a unique set of Hamming checks will fail, and the overall parity will also be wrong.
- Let c_i be true if check i fails, otherwise true.
- In the case of a 1-bit error, the string c_{k-1}, \dots, c_1, c_0 will be the binary index of the erroneous bit.
- For Example if the c_i string is 0110 then bit at position 6 is in error.
- If two bits are in error, one or more Hamming checks will fail, but the overall parity will be correct.
- Thus the failure of one or more Hamming checks, coupled with correct overall parity means that 2 bits are in error.
- This assumes that the probability of 3 or more bits being in error is negligible.

C
S
D
A
2/e

Example 8.2 Compute the odd parity SECDED encoding of the 8-bit value 01101011

The 8 data bits 01101011 would have 5 parity bits added to them to make the 13-bit value

$P_0 P_1 P_2 0 P_4 1 1 0 P_8 1 0 1 1$.

Now $P_1 = 0$, $P_2 = 1$, $P_4 = 0$, and $P_8 = 0$, and we can compute that P_0 , overall parity, = 1, giving the encoded value:

1 0 1 0 0 1 1 0 0 1 0 1 1

C

S

D

A

2/e

Example 8.3 Extract the Correct Data Value from the SECDED-Encoded String 0110101101101, Assuming odd Parity

- The string shows even parity, so there must be a single bit in error.
- Checks c_2 and c_4 fail, giving the binary index of the erroneous bits as $0110 = 6$, so D6 is in error.
- It should be 0 instead of 1

C

S

D

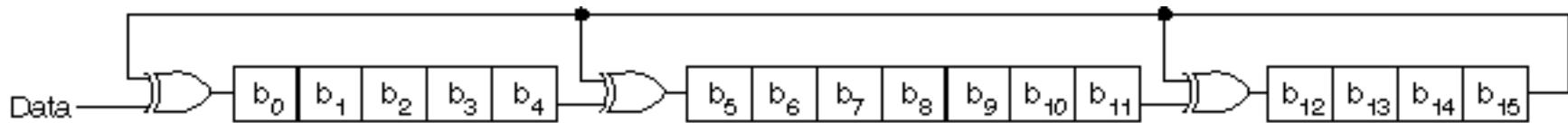
A

2/e

Cyclic Redundancy Check, CRC

- When data is transmitted serially over communications lines, the pattern of errors usually results in several or many bits in error, due to the nature of line noise.
- The "crackling" of telephone lines is this kind of noise.
- Parity checks are not as useful in these cases.
- Instead CRC checks are used.
- The CRC can be generated serially.
- It usually consists of XOR gates.

Fig 8.22 CRC Generator Based on the Polynomial $x^{16} + x^{12} + x^5 + 1$.



- The number and position of XOR gates is determined by the polynomial
- CRC does not support error correction but the CRC bits generated can be used to detect multi-bit errors.
- The CRC results in extra CRC bits, which are appended to the data word and sent along.
- The receiving entity can check for errors by recomputing the CRC and comparing it with the one that was transmitted.

Fig 8.23 Serial Data Transmission with Appended CRC Code

