

9-Mbit Burst of Two Pipelined SRAMs with QDR™ Architecture

Features

- Separate independent Read and Write data ports
 - Supports concurrent transactions
- 167-MHz clock for high bandwidth
 - 2.5 ns Clock-to-Valid access time
- 2-word burst on all accesses
- Double Data Rate (DDR) interfaces on both Read and Write ports (data transferred at 333 MHz) @ 167 MHz
- Two input clocks (K and \bar{K}) for precise DDR timing
 - SRAM uses rising edges only
- Two input clocks for output data (C and \bar{C}) to minimize clock-skew and flight-time mismatches.
- Single multiplexed address input bus latches address inputs for both Read and Write ports
- Separate Port Selects for depth expansion
- Synchronous internally self-timed writes
- 2.5 V core power supply with HSTL Inputs and Outputs
- Available in 165-ball FBGA package (13 × 15 × 1.4 mm)
- Variable drive HSTL output buffers
- Expanded HSTL output voltage (1.4 V–1.9 V)
- JTAG Interface

Configurations

CY7C1302DV25 – 512 K × 18

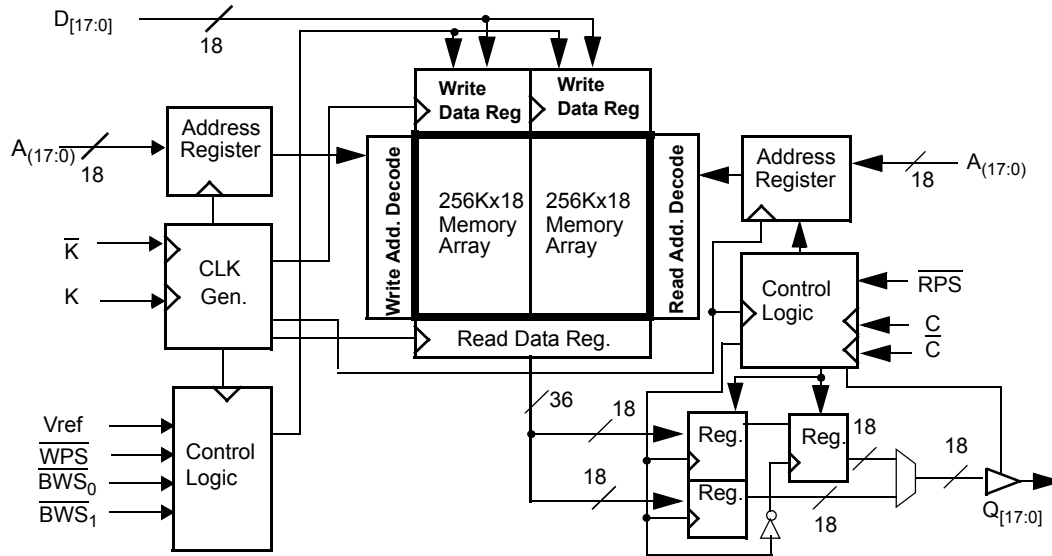
Functional Description

The CY7C1302DV25 is a 2.5 V Synchronous Pipelined SRAM equipped with QDR™ architecture. QDR architecture consists of two separate ports to access the memory array. The Read port has dedicated data outputs to support Read operations and the Write Port has dedicated data inputs to support Write operations. Access to each port is accomplished through a common address bus. The Read address is latched on the rising edge of the \bar{K} clock and the Write address is latched on the rising edge of the \bar{K} clock. QDR has separate data inputs and data outputs to completely eliminate the need to “turn-around” the data bus required with common I/O devices. Accesses to the CY7C1302DV25 Read and Write ports are completely independent of one another. All accesses are initiated synchronously on the rising edge of the positive input clock (K). In order to maximize data throughput, both Read and Write ports are equipped with DDR interfaces. Therefore, data can be transferred into the device on every rising edge of both input clocks (K and \bar{K}) and out of the device on every rising edge of the output clock (C and \bar{C} , or K and \bar{K} in a single clock domain) thereby maximizing performance while simplifying system design. Each address location is associated with two 18-bit words that burst sequentially into or out of the device.

Depth expansion is accomplished with a Port Select input for each port. Each Port Select allows each port to operate independently.

All synchronous inputs pass through input registers controlled by the K or \bar{K} input clocks. All data outputs pass through output registers controlled by the C or \bar{C} (or K or \bar{K} in a single clock domain) input clocks. Writes are conducted with on-chip synchronous self-timed write circuitry.

Logic Block Diagram - CY7C1302DV25



Contents

Selection Guide	4	TAP AC Switching Characteristics	13
Pin Configuration	4	TAP Timing and Test Conditions	14
165-ball FBGA (13 × 15 × 1.4 mm) Pinout	4	Identification Register Definitions	14
Pin Definitions	4	Scan Register Sizes	15
Introduction	5	Instruction Codes	15
Functional Overview	5	Boundary Scan Order	16
Read Operations	6	Maximum Ratings	17
Write Operations	6	Operating Range	17
Byte Write Operations	6	Electrical Characteristics	17
Single Clock Mode	6	DC Electrical Characteristics	17
Concurrent Transactions	6	AC Input Requirements	17
Depth Expansion	6	Thermal Resistance	18
Programmable Impedance	6	Capacitance	18
Application Example	7	AC Test Loads and Waveforms	18
Truth Table	8	Switching Characteristics	18
Write Cycle Descriptions	8	Switching Waveforms	20
IEEE 1149.1 Serial Boundary Scan (JTAG)	9	Ordering Information	21
Disabling the JTAG Feature	9	Ordering Code Definitions	21
Test Access Port—Test Clock	9	Package Diagram	22
Test Mode Select	9	Acronyms	23
Test Data-In (TDI)	9	Document Conventions	23
Test Data-Out (TDO)	9	Units of Measure	23
Performing a TAP Reset	9	Document History Page	24
TAP Registers	9	Sales, Solutions, and Legal Information	25
TAP Instruction Set	9	Worldwide Sales and Design Support	25
TAP Controller State Diagram	11	Products	25
TAP Controller Block Diagram	12	PSoC Solutions	25
TAP Electrical Characteristics	12		

Selection Guide

	CY7C1302DV25-167	Unit
Maximum Operating Frequency	167	MHz
Maximum Operating Current	500	mA

Pin Configuration

165-ball FBGA (13 × 15 × 1.4 mm) Pinout

CY7C1302DV25 (512 K × 18)

	1	2	3	4	5	6	7	8	9	10	11
A	NC	Gnd/144M	NC/36M	\overline{WPS}	\overline{BWS}_1	\overline{K}	NC	\overline{RPS}	NC/18M	Gnd/72M	NC
B	NC	Q9	D9	A	NC	K	\overline{BWS}_0	A	NC	NC	Q8
C	NC	NC	D10	VSS	A	A	A	VSS	NC	Q7	D8
D	NC	D11	Q10	VSS	VSS	VSS	VSS	VSS	NC	NC	D7
E	NC	NC	Q11	VDDQ	VSS	VSS	VSS	VDDQ	NC	D6	Q6
F	NC	Q12	D12	VDDQ	VDD	VSS	VDD	VDDQ	NC	NC	Q5
G	NC	D13	Q13	VDDQ	VDD	VSS	VDD	VDDQ	NC	NC	D5
H	NC	VREF	VDDQ	VDDQ	VDD	VSS	VDD	VDDQ	VDDQ	VREF	ZQ
J	NC	NC	D14	VDDQ	VDD	VSS	VDD	VDDQ	NC	Q4	D4
K	NC	NC	Q14	VDDQ	VDD	VSS	VDD	VDDQ	NC	D3	Q3
L	NC	Q15	D15	VDDQ	VSS	VSS	VSS	VDDQ	NC	NC	Q2
M	NC	NC	D16	VSS	VSS	VSS	VSS	VSS	NC	Q1	D2
N	NC	D17	Q16	VSS	A	A	A	VSS	NC	NC	D1
P	NC	NC	Q17	A	A	C	A	A	NC	D0	Q0
R	TDO	TCK	A	A	A	\overline{C}	A	A	A	TMS	TDI

Pin Definitions

Name	I/O	Description
$D_{[17:0]}$	Input-Synchronous	Data input signals, sampled on the rising edge of \overline{K} and \overline{K} clocks during valid Write operations.
\overline{WPS}	Input-Synchronous	Write Port Select, active LOW. Sampled on the rising edge of the \overline{K} clock. When asserted active, a Write operation is initiated. Deasserting will deselect the Write port. Deselecting the Write port will cause $D_{[17:0]}$ to be ignored.
\overline{BWS}_0 , \overline{BWS}_1	Input-Synchronous	Byte Write Select 0, 1, active LOW. Sampled on the rising edge of the \overline{K} and \overline{K} clocks during Write operations. Used to select which byte is written into the device during the current portion of the Write operations. Bytes not written remain unaltered. \overline{BWS}_0 controls $D_{[8:0]}$ and \overline{BWS}_1 controls $D_{[17:9]}$. All the Byte Write Selects are sampled on the same edge as the data. Deselecting a Byte Write Select will cause the corresponding byte of data to be ignored and not written into the device.
A	Input-Synchronous	Address Inputs. Sampled on the rising edge of the \overline{K} (read address) and \overline{K} (write address) clocks for active Read and Write operations. These address inputs are multiplexed for both Read and Write operations. Internally, the device is organized as 512 K × 18 (2 arrays each of 256 K × 18). These inputs are ignored when the appropriate port is deselected.
$Q_{[17:0]}$	Outputs-Synchronous	Data Output signals. These pins drive out the requested data during a Read operation. Valid data is driven out on the rising edge of both the \overline{C} and \overline{C} clocks during Read operations or \overline{K} and \overline{K} when in single clock mode. When the Read port is deselected, $Q_{[17:0]}$ are automatically three-stated.

Pin Definitions (continued)

Name	I/O	Description
RPS	Input-Synchronous	Read Port Select, active LOW. Sampled on the rising edge of positive input clock (K). When active, a Read operation is initiated. Deasserting will cause the Read port to be deselected. When deselected, the pending access is allowed to complete and the output drivers are automatically three-stated following the next rising edge of the C clock. Each read access consists of a burst of two sequential transfers.
C	Input-Clock	Positive Input Clock for Output Data. C is used in conjunction with \overline{C} to clock out the Read data from the device. C and \overline{C} can be used together to deskew the flight times of various devices on the board back to the controller. See application example for further details.
\overline{C}	Input-Clock	Negative Input Clock for Output Data. \overline{C} is used in conjunction with C to clock out the Read data from the device. C and \overline{C} can be used together to deskew the flight times of various devices on the board back to the controller. See application example for further details.
K	Input-Clock	Positive Input Clock Input. The rising edge of K is used to capture synchronous inputs to the device and to drive out data through $Q_{[17:0]}$ when in single clock mode. All accesses are initiated on the rising edge of K.
\overline{K}	Input-Clock	Negative Input Clock Input. \overline{K} is used to capture synchronous inputs being presented to the device and to drive out data through $Q_{[17:0]}$ when in single clock mode.
ZQ	Input	Output Impedance Matching Input. This input is used to tune the device outputs to the system data bus impedance. $Q_{[17:0]}$ output impedance is set to $0.2 \times RQ$, where RQ is a resistor connected between ZQ and ground. Alternately, this pin can be connected directly to V_{DDQ} , which enables the minimum impedance mode. This pin cannot be connected directly to GND or left unconnected.
TDO	Output	TDO for JTAG.
TCK	Input	TCK pin for JTAG.
TDI	Input	TDI pin for JTAG.
TMS	Input	TMS pin for JTAG.
NC/18M	N/A	Address expansion for 18M. This is not connected to the die and so can be tied to any voltage level.
NC/36M	N/A	Address expansion for 36M. This is not connected to the die and so can be tied to any voltage level.
GND/72M	Input	Address expansion for 72M. This must be tied LOW.
GND/144M	Input	Address expansion for 144M. This must be tied LOW.
NC	N/A	Not connected to the die. Can be tied to any voltage level.
V_{REF}	Input-Reference	Reference Voltage Input. Static input used to set the reference level for HSTL inputs and Outputs as well as AC measurement points.
V_{DD}	Power Supply	Power supply inputs to the core of the device.
V_{SS}	Ground	Ground for the device.
V_{DDQ}	Power Supply	Power supply inputs for the outputs of the device.

Introduction
Functional Overview

The CY7C1302DV25 is a synchronous pipelined Burst SRAM equipped with both a Read port and a Write port. The Read port is dedicated to Read operations and the Write port is dedicated to Write operations. Data flows into the SRAM through the Write port and out through the Read port. These devices multiplex the address inputs in order to minimize the number of address pins required. By having separate Read and Write ports, the QDR-I completely eliminates the need to “turn-around” the data bus and avoids any possible data contention, thereby simplifying system design.

Accesses for both ports are initiated on the rising edge of the Positive Input Clock (K). All synchronous input timing is referenced from the rising edge of the input clocks (K and \overline{K}) and all output timing is referenced to the output clocks (C and \overline{C} , or K and \overline{K} when in single clock mode).

All synchronous data inputs ($D_{[17:0]}$) pass through input registers controlled by the input clocks (K and \overline{K}). All synchronous data outputs ($Q_{[17:0]}$) pass through output registers controlled by the rising edge of the output clocks (C and \overline{C} , or K and \overline{K} when in single clock mode).

All synchronous control (\overline{RPS} , \overline{WPS} , $\overline{BWS}_{[1:0]}$) inputs pass through input registers controlled by the rising edge of input clocks (K and \overline{K}).

Read Operations

The CY7C1302DV25 is organized internally as 2 arrays of 256 K × 18. Accesses are completed in a burst of two sequential 18-bit data words. Read operations are initiated by asserting RPS active at the rising edge of the positive input clock (K). The address is latched on the rising edge of the K clock. Following the next K clock rise the corresponding lower order 18-bit word of data is driven onto the Q_[17:0] using C as the output timing reference. On the subsequent rising edge of C the higher order data word is driven onto the Q_[17:0]. The requested data will be valid 2.5 ns from the rising edge of the output clock (C and C̄, or K and K̄ when in single clock mode, 167-MHz device).

Synchronous internal circuitry will automatically three-state the outputs following the next rising edge of the positive output clock (C). This will allow for a seamless transition between devices without the insertion of wait states in a depth expanded memory.

Write Operations

Write operations are initiated by asserting WPS active at the rising edge of the positive input clock (K). On the same K clock rise the data presented to D_[17:0] is latched into the lower 18-bit Write Data register provided BWS_[1:0] are both asserted active. On the subsequent rising edge of the negative input clock (K̄), the address is latched and the information presented to D_[17:0] is stored into the Write Data register provided BWS_[1:0] are both asserted active. The 36 bits of data are then written into the memory array at the specified location.

When deselected, the Write port will ignore all inputs after the pending Write operations have been completed.

Byte Write Operations

Byte Write operations are supported by the CY7C1302DV25. A Write operation is initiated as described in the Write Operation section above. The bytes that are written are determined by BWS₀ and BWS₁ which are sampled with each set of 18-bit data word. Asserting the appropriate Byte Write Select input during the data portion of a write will allow the data being presented to be latched and written into the device. Deasserting the Byte Write Select input during the data portion of a write will allow the data stored in the device for that byte to remain unaltered. This

feature can be used to simplify Read/Modify/Write operations to a Byte Write operation.

Single Clock Mode

The CY7C1302DV25 can be used with a single clock mode. In this mode the device will recognize only the pair of input clocks (K and K̄) that control both the input and output registers. This operation is identical to the operation if the device had zero skew between the K/K̄ and C/C̄ clocks. All timing parameters remain the same in this mode. To use this mode of operation, the user must tie C and C̄ HIGH at power-up. This function is a strap option and not alterable during device operation.

Concurrent Transactions

The Read and Write ports on the CY7C1302DV25 operate completely independently of one another. Since each port latches the address inputs on different clock edges, the user can Read or Write to any location, regardless of the transaction on the other port. Also, reads and writes can be started in the same clock cycle. If the ports access the same location at the same time, the SRAM will deliver the most recent information associated with the specified address location. This includes forwarding data from a Write cycle that was initiated on the previous K clock rise.

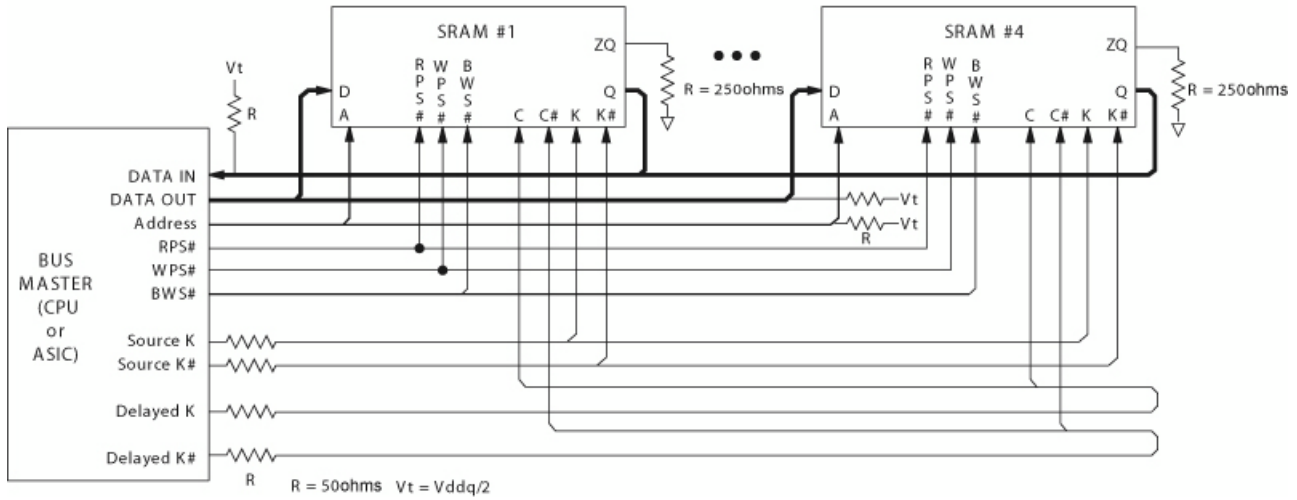
Depth Expansion

The CY7C1302DV25 has a Port Select input for each port. This allows for easy depth expansion. Both Port Selects are sampled on the rising edge of the Positive Input Clock only (K). Each port select input can deselect the specified port. Deselecting a port will not affect the other port. All pending transactions (Read and Write) will be completed prior to the device being deselected.

Programmable Impedance

An external resistor, R_Q, must be connected between the ZQ pin on the SRAM and V_{SS} to allow the SRAM to adjust its output driver impedance. The value of R_Q must be 5 × the value of the intended line impedance driven by the SRAM. The allowable range of R_Q to guarantee impedance matching with a tolerance of ±15% is between 175 Ω and 350 Ω, with V_{DDQ} = 1.5 V. The output impedance is adjusted every 1024 cycles to account for drifts in supply voltage and temperature.

Application Example^[1]



Note

1. The above application shows 4 QDR-I being used.

Truth Table^[2, 3, 4, 5, 6, 7]

Operation	K	\overline{RPS}	\overline{WPS}	DQ	DQ
Write Cycle: Load address on the rising edge of \overline{K} clock; input write data on K and \overline{K} rising edges.	L-H	X	L	D(A+0) at K(t) \uparrow	D(A+1) at $\overline{K}(t)$ \uparrow
Read Cycle: Load address on the rising edge of K clock; wait one cycle; read data on 2 consecutive C and \overline{C} rising edges.	L-H	L	X	Q(A+0) at C(t+1) \uparrow	Q(A+1) at $\overline{C}(t+1)$ \uparrow
NOP: No Operation	L-H	H	H	D = X Q = High Z	D = X Q = High Z
Standby: Clock Stopped	Stopped	X	X	Previous State	Previous State

Write Cycle Descriptions^[2, 8]

\overline{BWS}_0	\overline{BWS}_1	K	\overline{K}	Comments
L	L	L-H	-	During the Data portion of a Write sequence, both bytes (D _[17:0]) are written into the device.
L	L	-	L-H	During the Data portion of a Write sequence, both bytes (D _[17:0]) are written into the device.
L	H	L-H	-	During the Data portion of a Write sequence, only the lower byte (D _[8:0]) is written into the device. D _[17:9] remains unaltered.
L	H	-	L-H	During the Data portion of a Write sequence, only the lower byte (D _[8:0]) is written into the device. D _[17:9] remains unaltered.
H	L	L-H	-	During the Data portion of a Write sequence, only the byte (D _[17:9]) is written into the device. D _[8:0] remains unaltered.
H	L	-	L-H	During the Data portion of a Write sequence, only the byte (D _[17:9]) is written into the device. D _[8:0] remains unaltered.
H	H	L-H	-	No data is written into the device during this portion of a Write operation.
H	H	-	L-H	No data is written into the device during this portion of a Write operation.

Notes

2. „X = Don't Care, H = Logic HIGH, L = Logic LOW \uparrow represents rising edge.
3. Device will power-up deselected and the outputs in a three-state condition.
4. "A" represents address location latched by the devices when transaction was initiated. A+0, A+1 represent the addresses sequence in the burst.
5. "t" represents the cycle at which a Read/Write operation is started. t+1 is the first clock cycle succeeding the "t" clock cycle.
6. Data inputs are registered at K and \overline{K} rising edges. Data outputs are delivered on C and \overline{C} rising edges, except when in single clock mode.
7. It is recommended that K = \overline{K} and C = \overline{C} when clock is stopped. This is not essential, but permits most rapid restart by overcoming transmission line charging symmetrically.
8. Assumes a Write cycle was initiated per the Write Port Cycle Description Truth Table. \overline{BWS}_0 , \overline{BWS}_1 can be altered on different portions of a Write cycle, as long as the set-up and hold requirements are achieved.

IEEE 1149.1 Serial Boundary Scan (JTAG)

These SRAMs incorporate a serial boundary scan test access port (TAP) in the FBGA package. This part is fully compliant with IEEE Standard #1149.1-1900. The TAP operates using JEDEC standard 2.5 V I/O logic levels.

Disabling the JTAG Feature

It is possible to operate the SRAM without using the JTAG feature. To disable the TAP controller, TCK must be tied LOW (V_{SS}) to prevent clocking of the device. TDI and TMS are internally pulled up and may be unconnected. They may alternately be connected to V_{DD} through a pull-up resistor. TDO should be left unconnected. Upon power-up, the device will come up in a reset state which will not interfere with the operation of the device.

Test Access Port—Test Clock

The test clock is used only with the TAP controller. All inputs are captured on the rising edge of TCK. All outputs are driven from the falling edge of TCK.

Test Mode Select

The TMS input is used to give commands to the TAP controller and is sampled on the rising edge of TCK. It is allowable to leave this pin unconnected if the TAP is not used. The pin is pulled up internally, resulting in a logic HIGH level.

Test Data-In (TDI)

The TDI pin is used to serially input information into the registers and can be connected to the input of any of the registers. The register between TDI and TDO is chosen by the instruction that is loaded into the TAP instruction register. For information on loading the instruction register, see the TAP Controller State Diagram. TDI is internally pulled up and can be unconnected if the TAP is unused in an application. TDI is connected to the most significant bit (MSB) on any register.

Test Data-Out (TDO)

The TDO output pin is used to serially clock data-out from the registers. The output is active depending upon the current state of the TAP state machine (see Instruction codes). The output changes on the falling edge of TCK. TDO is connected to the least significant bit (LSB) of any register.

Performing a TAP Reset

A Reset is performed by forcing TMS HIGH (V_{DD}) for five rising edges of TCK. This RESET does not affect the operation of the SRAM and may be performed while the SRAM is operating. At power-up, the TAP is reset internally to ensure that TDO comes up in a high Z state.

TAP Registers

Registers are connected between the TDI and TDO pins and allow data to be scanned into and out of the SRAM test circuitry. Only one register can be selected at a time through the instruction registers. Data is serially loaded into the TDI pin on the rising edge of TCK. Data is output on the TDO pin on the falling edge of TCK.

Instruction Register

Three-bit instructions can be serially loaded into the instruction register. This register is loaded when it is placed between the TDI and TDO pins as shown in [TAP Controller Block Diagram](#). Upon power-up, the instruction register is loaded with the IDCODE instruction. It is also loaded with the IDCODE instruction if the controller is placed in a reset state as described in the previous section.

When the TAP controller is in the Capture IR state, the two least significant bits are loaded with a binary "01" pattern to allow for fault isolation of the board level serial test path.

Bypass Register

To save time when serially shifting data through registers, it is sometimes advantageous to skip certain chips. The bypass register is a single-bit register that can be placed between TDI and TDO pins. This allows data to be shifted through the SRAM with minimal delay. The bypass register is set LOW (V_{SS}) when the BYPASS instruction is executed.

Boundary Scan Register

The boundary scan register is connected to all of the input and output pins on the SRAM. Several no connect (NC) pins are also included in the scan register to reserve pins for higher density devices.

The boundary scan register is loaded with the contents of the RAM Input and Output ring when the TAP controller is in the Capture-DR state and is then placed between the TDI and TDO pins when the controller is moved to the Shift-DR state. The EXTEST, SAMPLE/PRELOAD and SAMPLE Z instructions can be used to capture the contents of the Input and Output ring.

The Boundary Scan Order tables show the order in which the bits are connected. Each bit corresponds to one of the bumps on the SRAM package. The MSB of the register is connected to TDI, and the LSB is connected to TDO.

Identification (ID) Register

The ID register is loaded with a vendor-specific, 32-bit code during the Capture-DR state when the IDCODE command is loaded in the instruction register. The IDCODE is hardwired into the SRAM and can be shifted out when the TAP controller is in the Shift-DR state. The ID register has a vendor code and other information described in the Identification Register Definitions table.

TAP Instruction Set

Eight different instructions are possible with the three-bit instruction register. All combinations are listed in the Instruction Code table. Three of these instructions are listed as RESERVED and should not be used. The other five instructions are described in detail below.

Instructions are loaded into the TAP controller during the Shift-IR state when the instruction register is placed between TDI and TDO. During this state, instructions are shifted through the instruction register through the TDI and TDO pins. To execute the instruction once it is shifted in, the TAP controller needs to be moved into the Update-IR state.

IDCODE

The IDCODE instruction causes a vendor-specific, 32-bit code to be loaded into the instruction register. It also places the instruction register between the TDI and TDO pins and allows the IDCODE to be shifted out of the device when the TAP controller enters the Shift-DR state. The IDCODE instruction is loaded into the instruction register upon power-up or whenever the TAP controller is given a test logic reset state.

SAMPLE Z

The SAMPLE Z instruction causes the boundary scan register to be connected between the TDI and TDO pins when the TAP controller is in a Shift-DR state. The SAMPLE Z command puts the output bus into a high Z state until the next command is given during the “Update IR” state.

SAMPLE/PRELOAD

SAMPLE/PRELOAD is a 1149.1 mandatory instruction. When the SAMPLE/PRELOAD instructions are loaded into the instruction register and the TAP controller is in the Capture-DR state, a snapshot of data on the inputs and output pins is captured in the boundary scan register.

The user must be aware that the TAP controller clock can only operate at a frequency up to 10 MHz, while the SRAM clock operates more than an order of magnitude faster. Because there is a large difference in the clock frequencies, it is possible that during the Capture-DR state, an input or output will undergo a transition. The TAP may then try to capture a signal while in transition (metastable state). This will not harm the device, but there is no guarantee as to the value that will be captured. Repeatable results may not be possible.

To guarantee that the boundary scan register will capture the correct value of a signal, the SRAM signal must be stabilized long enough to meet the TAP controller’s capture set-up plus hold times (t_{CS} and t_{CH}). The SRAM clock input might not be captured correctly if there is no way in a design to stop (or slow) the clock during a SAMPLE/PRELOAD instruction. If this is an issue, it is still possible to capture all other signals and simply ignore the value of the CK and CK captured in the boundary scan register.

Once the data is captured, it is possible to shift out the data by putting the TAP into the Shift-DR state. This places the boundary scan register between the TDI and TDO pins.

PRELOAD allows an initial data pattern to be placed at the latched parallel outputs of the boundary scan register cells prior to the selection of another boundary scan test operation.

The shifting of data for the SAMPLE and PRELOAD phases can occur concurrently when required—that is, while data captured is shifted out, the preloaded data can be shifted in.

BYPASS

When the BYPASS instruction is loaded in the instruction register and the TAP is placed in a Shift-DR state, the bypass register is placed between the TDI and TDO pins. The advantage of the BYPASS instruction is that it shortens the boundary scan path when multiple devices are connected together on a board.

EXTEST

The EXTEST instruction enables the preloaded data to be driven out through the system output pins. This instruction also selects the boundary scan register to be connected for serial access between the TDI and TDO in the shift-DR controller state.

EXTEST Output Bus Three-state

IEEE Standard 1149.1 mandates that the TAP controller be able to put the output bus into a three-state mode.

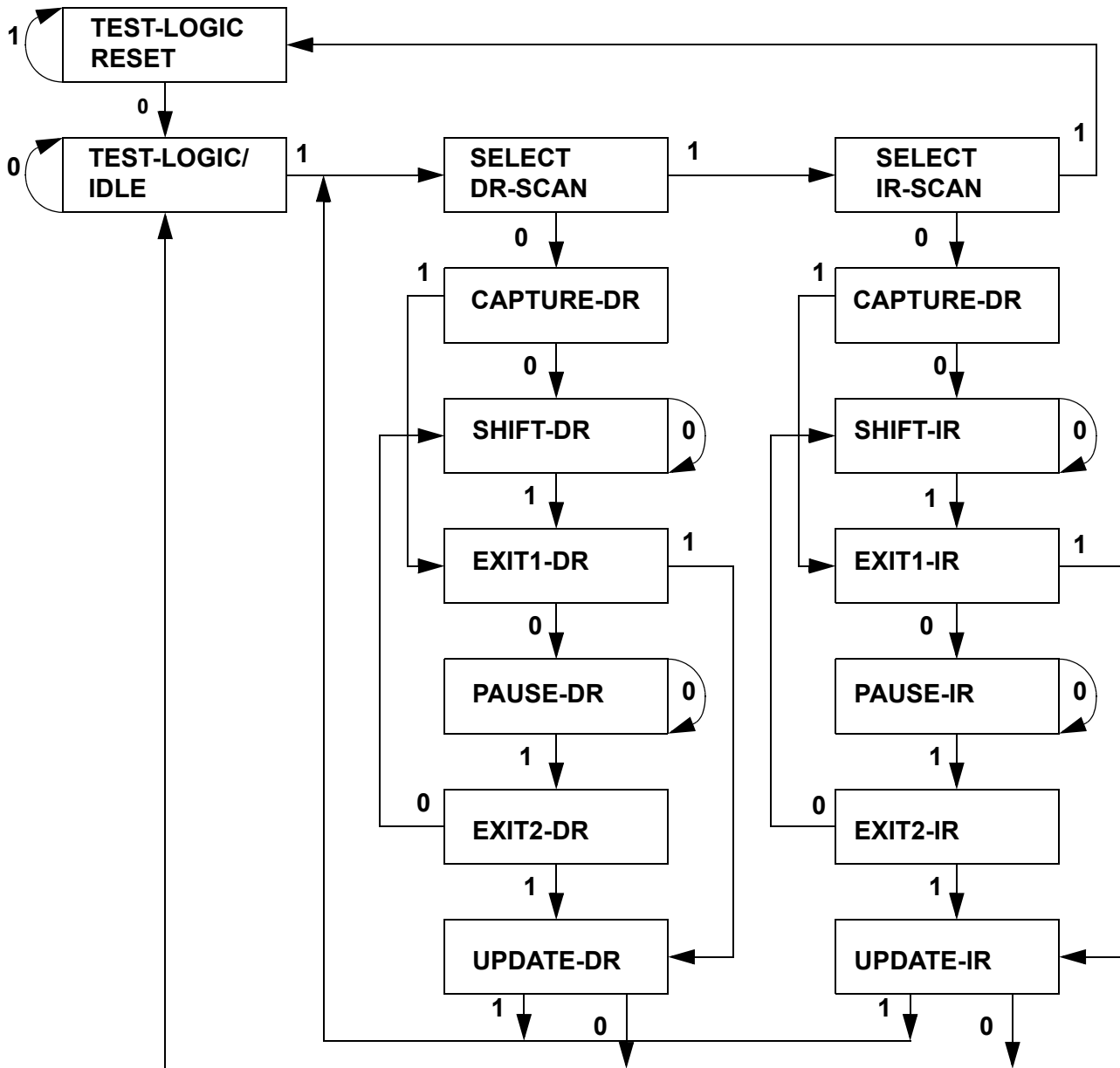
The boundary scan register has a special bit located at bit #47. When this scan cell, called the “extest output bus three-state”, is latched into the preload register during the “Update-DR” state in the TAP controller, it will directly control the state of the output (Q-bus) pins, when the EXTEST is entered as the current instruction. When HIGH, it will enable the output buffers to drive the output bus. When LOW, this bit will place the output bus into a high Z condition.

This bit can be set by entering the SAMPLE/PRELOAD or EXTEST command, and then shifting the desired bit into that cell, during the “Shift-DR” state. During “Update-DR”, the value loaded into that shift-register cell will latch into the preload register. When the EXTEST instruction is entered, this bit will directly control the output Q-bus pins. Note that this bit is pre-set HIGH to enable the output when the device is powered-up, and also when the TAP controller is in the “Test-Logic-Reset” state.

Reserved

These instructions are not implemented but are reserved for future use. Do not use these instructions.

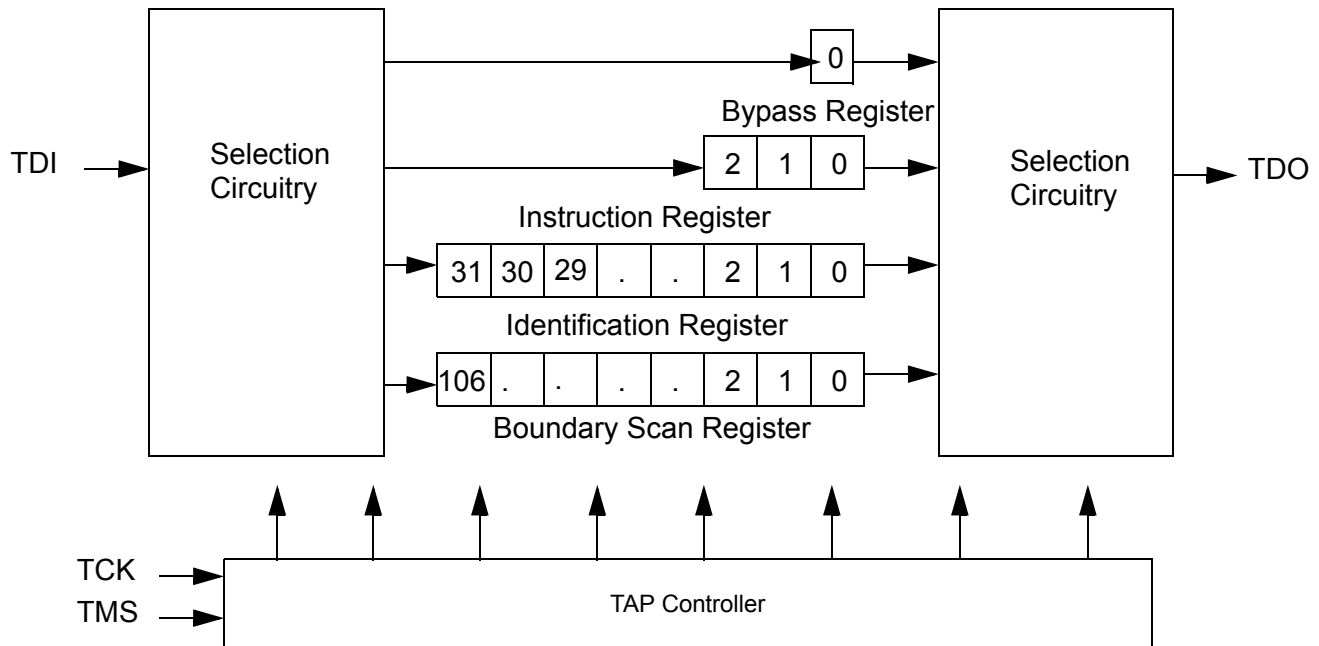
TAP Controller State Diagram^[9]



Note

9. The 0/1 next to each state represents the value at TMS at the rising edge of TCK.

TAP Controller Block Diagram



TAP Electrical Characteristics

Over the Operating Range [10, 11, 12]

Parameter	Description	Test Conditions	Min	Max	Unit
V _{OH1}	Output HIGH Voltage	I _{OH} = -2.0 mA	1.7	-	V
V _{OH2}	Output HIGH Voltage	I _{OH} = -100 μA	2.1	-	V
V _{OL1}	Output LOW Voltage	I _{OL} = 2.0 mA	-	0.7	V
V _{OL2}	Output LOW Voltage	I _{OL} = 100 μA	-	0.2	V
V _{IH}	Input HIGH Voltage		1.7	V _{DD} + 0.3	V
V _{IL}	Input LOW Voltage		-0.3	0.7	V
I _X	Input and Output Load Current	GND ≤ V _I ≤ V _{DDQ}	-5	5	μA

Notes

- 10. These characteristics pertain to the TAP inputs (TMS, TCK, TDI and TDO). Parallel load levels are specified in the Electrical Characteristics table.
- 11. Overshoot: V_{IH}(AC) < V_{DDQ} + 0.85 V (Pulse width less than t_{CYC/2}), Undershoot: V_{IL}(AC) > -1.5 V (Pulse width less than t_{CYC/2}).
- 12. All voltage referenced to Ground.

TAP AC Switching Characteristics

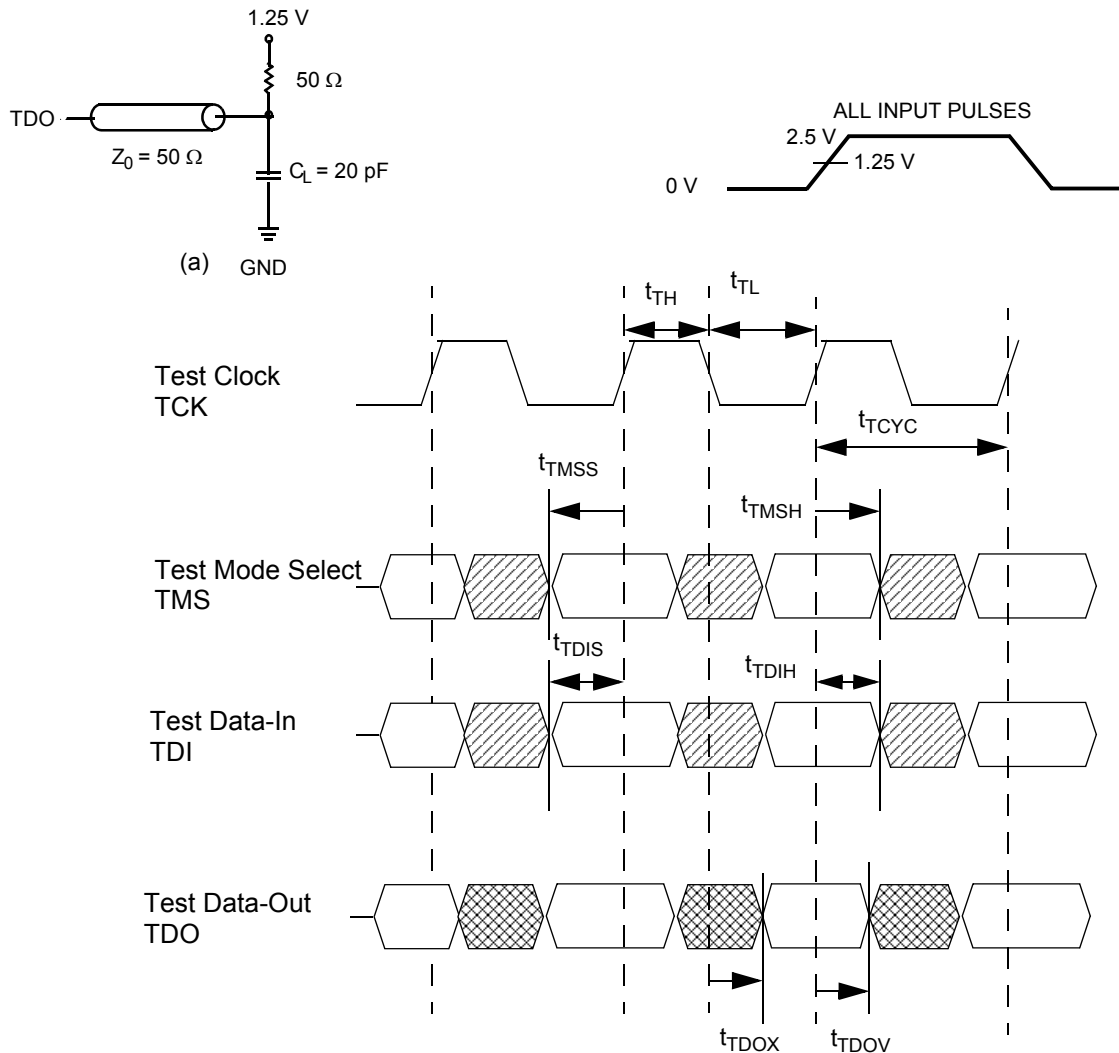
Over the Operating Range^[13, 14]

Parameter	Description	Min	Max	Unit
t_{TCYC}	TCK Clock Cycle Time	50	–	ns
t_{TF}	TCK Clock Frequency	–	20	MHz
t_{TH}	TCK Clock HIGH	20	–	ns
t_{TL}	TCK Clock LOW	20	–	ns
Set-up Times				
t_{TMSS}	TMS Set-up to TCK Clock Rise	10	–	ns
t_{TDIS}	TDI Set-up to TCK Clock Rise	10	–	ns
t_{CS}	Capture Set-up to TCK Rise	10	–	ns
Hold Times				
t_{TMSH}	TMS Hold after TCK Clock Rise	10	–	ns
t_{TDIH}	TDI Hold after Clock Rise	10	–	ns
t_{CH}	Capture Hold after Clock Rise	10	–	ns
Output Times				
t_{TDOV}	TCK Clock LOW to TDO Valid	–	20	ns
t_{TDOX}	TCK Clock LOW to TDO Invalid	0	–	ns

Notes

13. T_{CS} and T_{CH} refer to the set-up and hold time requirements of latching data from the boundary scan register.
 14. Test conditions are specified using the load in TAP AC test conditions. $T_r/T_f = 1$ ns.

TAP Timing and Test Conditions^[15]



Identification Register Definitions

Instruction Field	Value	Description
	CY7C1302DV25	
Revision Number (31:29)	000	Version number.
Cypress Device ID (28:12)	01011010010010110	Defines the type of SRAM.
Cypress JEDEC ID (11:1)	00000110100	Allows unique identification of SRAM vendor.
ID Register Presence (0)	1	Indicate the presence of an ID register.

Note
15. Test conditions are specified using the load in TAP AC test conditions. Tr/Tf = 1 ns.

Scan Register Sizes

Register Name	Bit Size
Instruction	3
Bypass	1
ID	32
Boundary Scan	107

Instruction Codes

Instruction	Code	Description
EXTEST	000	Captures the Input/Output ring contents.
IDCODE	001	Loads the ID register with the vendor ID code and places the register between TDI and TDO. This operation does not affect SRAM operation.
SAMPLE Z	010	Captures the Input/Output contents. Places the boundary scan register between TDI and TDO. Forces all SRAM output drivers to a high Z state.
RESERVED	011	Do Not Use: This instruction is reserved for future use.
SAMPLE/PRELOAD	100	Captures the Input/Output ring contents. Places the boundary scan register between TDI and TDO. Does not affect the SRAM operation.
RESERVED	101	Do Not Use: This instruction is reserved for future use.
RESERVED	110	Do Not Use: This instruction is reserved for future use.
BYPASS	111	Places the bypass register between TDI and TDO. This operation does not affect SRAM operation.

Boundary Scan Order

Bit #	Bump ID	Bit #	Bump ID	Bit #	Bump ID	Bit #	Bump ID
0	6R	27	11H	54	7B	81	3G
1	6P	28	10G	55	6B	82	2G
2	6N	29	9G	56	6A	83	1J
3	7P	30	11F	57	5B	84	2J
4	7N	31	11G	58	5A	85	3K
5	7R	32	9F	59	4A	86	3J
6	8R	33	10F	60	5C	87	2K
7	8P	34	11E	61	4B	88	1K
8	9R	35	10E	62	3A	89	2L
9	11P	36	10D	63	1H	90	3L
10	10P	37	9E	64	1A	91	1M
11	10N	38	10C	65	2B	92	1L
12	9P	39	11D	66	3B	93	3N
13	10M	40	9C	67	1C	94	3M
14	11N	41	9D	68	1B	95	1N
15	9M	42	11B	69	3D	96	2M
16	9N	43	11C	70	3C	97	3P
17	11L	44	9B	71	1D	98	2N
18	11M	45	10B	72	2C	99	2P
19	9L	46	11A	73	3E	100	1P
20	10L	47	Internal	74	2D	101	3R
21	11K	48	9A	75	2E	102	4R
22	10K	49	8B	76	1E	103	4P
23	9J	50	7C	77	2F	104	5P
24	9K	51	6C	78	3F	105	5N
25	10J	52	8A	79	1G	106	5R
26	11J	53	7A	80	1F		

Maximum Ratings

Exceeding maximum ratings may shorten the useful life of the device. User guidelines are not tested.

Storage Temperature -65 °C to + 150 °C
 Ambient Temperature with Power Applied -55 °C to + 125 °C
 Supply Voltage on V_{DD} Relative to GND -0.5 V to +3.6 V
 Supply Voltage on V_{DDQ} Relative to GND -0.5 V to +V_{DD}
 DC Applied to Outputs in high Z -0.5 V to V_{DDQ} + 0.5 V
 DC Input Voltage^[16] -0.5 V to V_{DD} + 0.5 V

Current into Outputs (LOW) 20 mA
 Static Discharge Voltage > 2001 V (per MIL-STD-883, Method 3015)
 Latch-up Current > 200 mA

Operating Range

Range	Ambient Temperature (T _A)	V _{DD} ^[17]	V _{DDQ} ^[17]
Commercial	0 °C to +70 °C	2.5 ± 0.1 V	1.4 V to 1.9 V
Industrial	-40 °C to +85 °C		

Electrical Characteristics

Over the Operating Range^[18]

DC Electrical Characteristics

Over the Operating Range

Parameter	Description	Test Conditions	Min	Typ	Max	Unit
V _{DD}	Power Supply Voltage		2.4	2.5	2.6	V
V _{DDQ}	I/O Supply Voltage		1.4	1.5	1.9	V
V _{OH}	Output HIGH Voltage	Note 19	V _{DDQ} /2 - 0.12	-	V _{DDQ} /2 + 0.12	V
V _{OL}	Output LOW Voltage	Note 20	V _{DDQ} /2 - 0.12	-	V _{DDQ} /2 + 0.12	V
V _{OH(LOW)}	Output HIGH Voltage	I _{OH} = -0.1 mA, Nominal Impedance	V _{DDQ} - 0.2	-	V _{DDQ}	V
V _{OL(LOW)}	Output LOW Voltage	I _{OL} = 0.1 mA, Nominal Impedance	V _{SS}	-	0.2	V
V _{IH}	Input HIGH Voltage ^[16]		V _{REF} + 0.1	-	V _{DDQ} + 0.3	V
V _{IL}	Input LOW Voltage ^[16, 21]		-0.3	-	V _{REF} - 0.1	V
I _X	Input Load Current	GND ≤ V _I ≤ V _{DDQ}	-5	-	5	μA
I _{OZ}	Output Leakage Current	GND ≤ V _I ≤ V _{DDQ} , Output Disabled	-5	-	5	μA
V _{REF}	Input Reference Voltage ^[22]	Typical value = 0.75 V	0.68	0.75	0.95	V
I _{DD}	V _{DD} Operating Supply	V _{DD} = Max., I _{OUT} = 0 mA, f = f _{MAX} = 1/t _{CYC}	-	-	500	mA
I _{SB1}	Automatic Power-Down Current	Max. V _{DD} , Both Ports Deselected, V _{IN} ≥ V _{IH} or V _{IN} ≤ V _{IL} , f = f _{MAX} = 1/t _{CYC} , Inputs Static	-	-	240	mA

AC Input Requirements

Over the Operating Range

Parameter	Description	Test Conditions	Min	Typ	Max	Unit
V _{IH}	Input HIGH Voltage		V _{REF} + 0.2	-	-	V
V _{IL}	Input LOW Voltage		-	-	V _{REF} - 0.2	V

Notes

16. Overshoot: V_{IH(AC)} < V_{DDQ} + 0.85 V (Pulse width less than t_{CYC}/2), Undershoot: V_{IL(AC)} > -1.5 V (Pulse width less than t_{CYC}/2).
17. Power-up: Assumes a linear ramp from 0 V to V_{DD(min.)} within 200 ms. During this time V_{IH} < V_{DD} and V_{DDQ} ≤ V_{DD}.
18. All voltage referenced to Ground.
19. Output are impedance controlled. I_{OH} = -(V_{DDQ}/2)/(RQ/5) for values of 175 Ω ≤ RQ ≤ 350 Ω.
20. Output are impedance controlled. I_{OL} = (V_{DDQ}/2)/(RQ/5) for values of 175 Ω ≤ RQ ≤ 350 Ω.
21. This spec is for all inputs except C and C Clock. For C and C Clock, V_{IL(Max)} = V_{REF} - 0.2 V.
22. V_{REF} (Min.) = 0.68 V or 0.46 V_{DDQ}, whichever is larger, V_{REF} (Max) = 0.95 V or 0.54 V_{DDQ}, whichever is smaller.

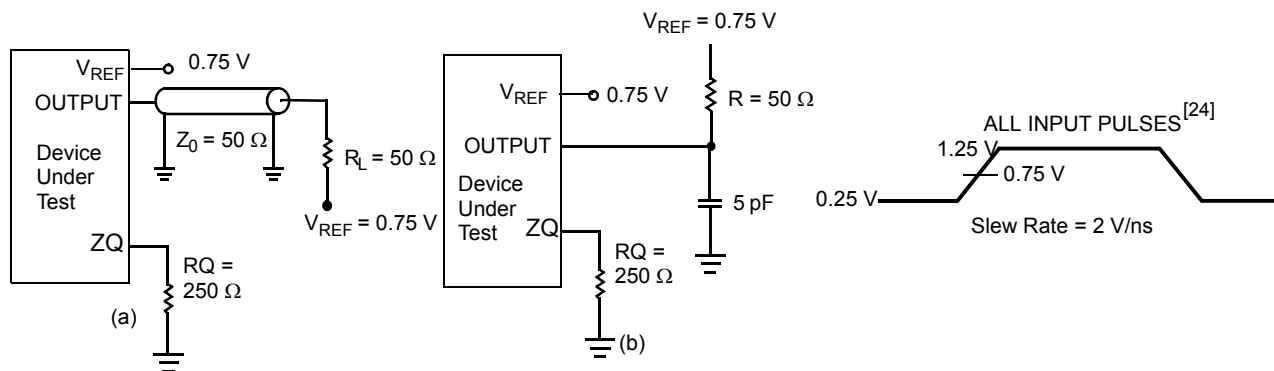
Thermal Resistance^[23]

Parameter	Description	Test Conditions	165-ball FBGA Package	Unit
Θ_{JA}	Thermal Resistance (Junction to Ambient)	Test conditions follow standard test methods and procedures for measuring thermal impedance, per EIA/JESD51.	16.7	°C/W
Θ_{JC}	Thermal Resistance (Junction to Case)		2.5	°C/W

Capacitance^[23]

Parameter	Description	Test Conditions	Max	Unit
C_{IN}	Input Capacitance	$T_A = 25\text{ }^\circ\text{C}$, $f = 1\text{ MHz}$, $V_{DD} = 2.5\text{ V}$, $V_{DDQ} = 1.5\text{ V}$	5	pF
C_{CLK}	Clock Input Capacitance		6	pF
C_O	Output Capacitance		7	pF

AC Test Loads and Waveforms



Switching Characteristics

Over the Operating Range^[24]

Cypress Parameter	Consortium Parameter	Description	167 MHz		Unit
			Min	Max	
t_{Power} ^[25]		V_{CC} (typical) to the First Access Read or Write	10	–	μs
Cycle Time					
t_{CYC}	t_{KHKH}	K Clock and C Clock Cycle Time	6.0	–	ns
t_{KH}	t_{KHKL}	Input Clock (K/ \bar{K} and C/ \bar{C}) HIGH	2.4	–	ns
t_{KL}	t_{KLKH}	Input Clock (K/ \bar{K} and C/ \bar{C}) LOW	2.4	–	ns
$t_{KH\bar{K}H}$	$t_{KH\bar{K}H}$	\bar{K}/\bar{K} Clock Rise to \bar{K}/\bar{K} Clock Rise and \bar{C}/\bar{C} to \bar{C}/\bar{C} Rise (rising edge to rising edge)	2.7	3.3	ns
t_{KHCH}	t_{KHCH}	\bar{K}/\bar{K} Clock Rise to \bar{C}/\bar{C} Clock Rise (rising edge to rising edge)	0.0	2.0	ns
Set-up Times					
t_{SA}	t_{SA}	Address Set-up to Clock (K and \bar{K}) Rise	0.7	–	ns
t_{SC}	t_{SC}	Control Set-up to Clock (K and \bar{K}) Rise (RPS, WPS, \bar{BWS}_0 , \bar{BWS}_1)	0.7	–	ns
t_{SD}	t_{SD}	$D_{[17:0]}$ Set-up to Clock (K and \bar{K}) Rise	0.7	–	ns

Notes

- 23. Tested initially and after any design or process change that may affect these parameters.
- 24. Unless otherwise noted, test conditions assume signal transition time of 2 V/ns, timing reference levels of 0.75 V, $V_{ref} = 0.75\text{ V}$, $R_Q = 250\text{ }\Omega$, $V_{DDQ} = 1.5\text{ V}$, input pulse levels of 0.25 V to 1.25 V, and output loading of the specified I_{OL}/I_{OH} and load capacitance shown in (a) of AC test loads.
- 25. This part has a voltage regulator that steps down the voltage internally; t_{Power} is the time power needs to be supplied above V_{DD} minimum initially before a read or write operation can be initiated.

Switching Characteristics *(continued)*

 Over the Operating Range^[24]

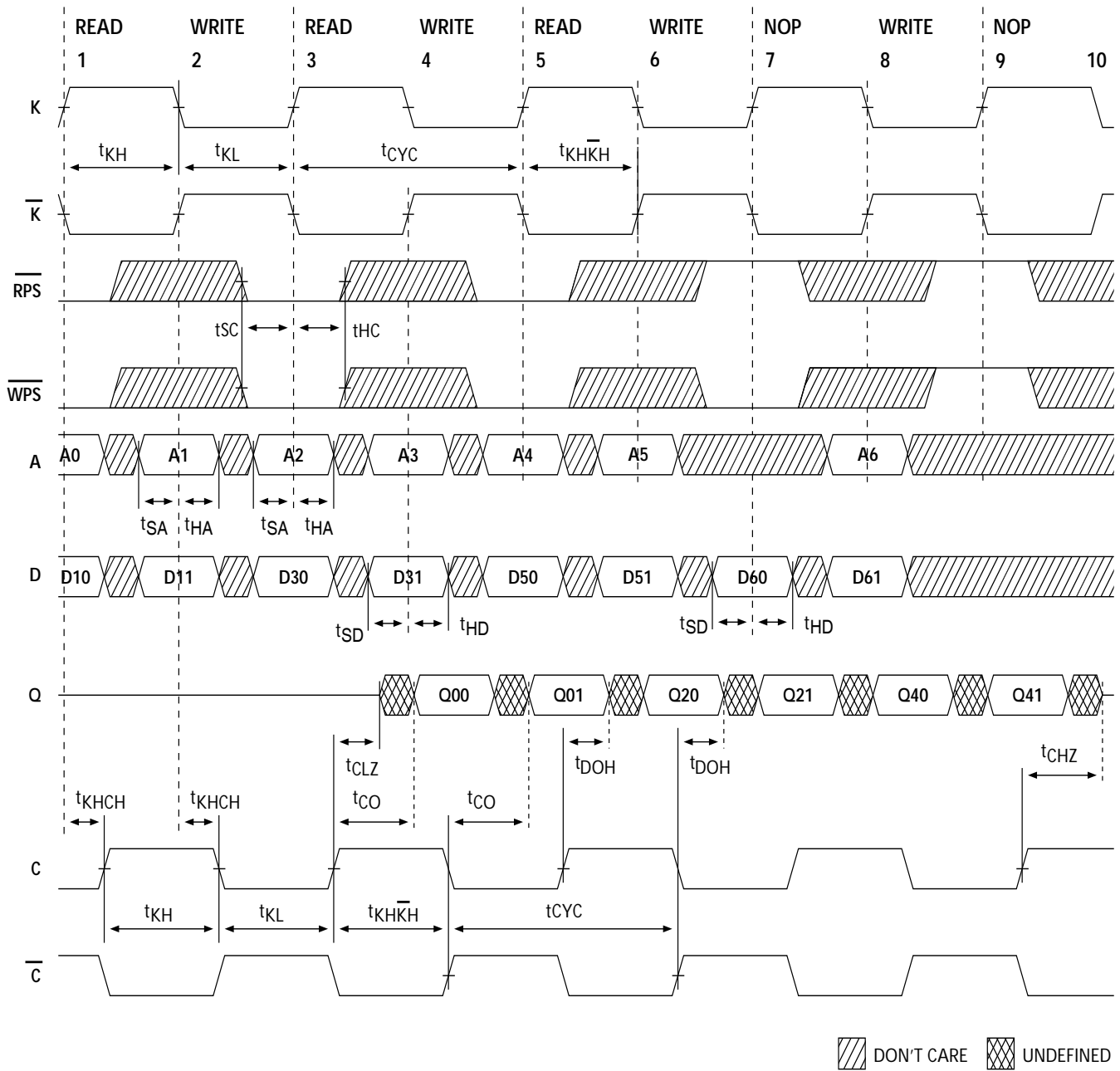
Cypress Parameter	Consortium Parameter	Description	167 MHz		Unit
			Min	Max	
Hold Times					
t_{HA}	t_{HA}	Address Hold after Clock (K and \bar{K}) Rise	0.7	–	ns
t_{HC}	t_{HC}	Control Signals Hold after Clock (K and \bar{K}) Rise (RPS, WPS, BWS ₀ , BWS ₁)	0.7	–	ns
t_{HD}	t_{HD}	D _[17:0] Hold after Clock (K and \bar{K}) Rise	0.7	–	ns
Output Times					
t_{CO}	t_{CHQV}	C/ \bar{C} Clock Rise (or K/\bar{K} in single clock mode) to Data Valid	–	2.5	ns
t_{DOH}	t_{CHQX}	Data Output Hold after Output C/ \bar{C} Clock Rise (Active to Active)	1.2	–	ns
t_{CHZ}	t_{CHZ}	Clock (C and \bar{C}) Rise to high Z (Active to high Z) ^[26, 27]	–	2.5	ns
t_{CLZ}	t_{CLZ}	Clock (C and \bar{C}) Rise to low Z ^[26, 27]	1.2	–	ns

Notes

 26. t_{CHZ} , t_{CLZ} , are specified with a load capacitance of 5 pF as in (b) of AC Test Loads. Transition is measured \pm 100 mV from steady-state voltage.

 27. At any given voltage and temperature t_{CHZ} is less than t_{CLZ} and, t_{CHZ} less than t_{CO} .

Switching Waveforms^[28, 29, 30]



 DON'T CARE  UNDEFINED

Notes

28. Q00 refers to output from address A0. Q01 refers to output from the next internal burst address following A0 i.e., A0 + 1.

29. Outputs are disabled (High Z) one clock cycle after a NOP.

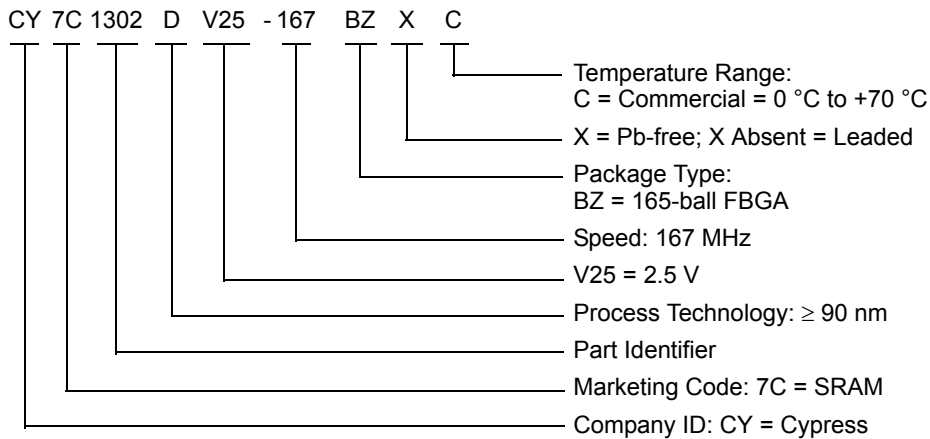
30. In this example, if address A2 = A1 then data Q20 = D10 and Q21 = D11. Write data is forwarded immediately as read results. This note applies to the whole diagram.

Ordering Information

Cypress offers other versions of this type of product in many different configurations and features. The below table contains only the list of parts that are currently available. For a complete listing of all options, visit the Cypress website at www.cypress.com and refer to the product summary page at <http://www.cypress.com/products> or contact your local sales representative. Cypress maintains a worldwide network of offices, solution centers, manufacturer's representatives and distributors. To find the office closest to you, visit us at <http://www.cypress.com/go/datasheet/offices>.

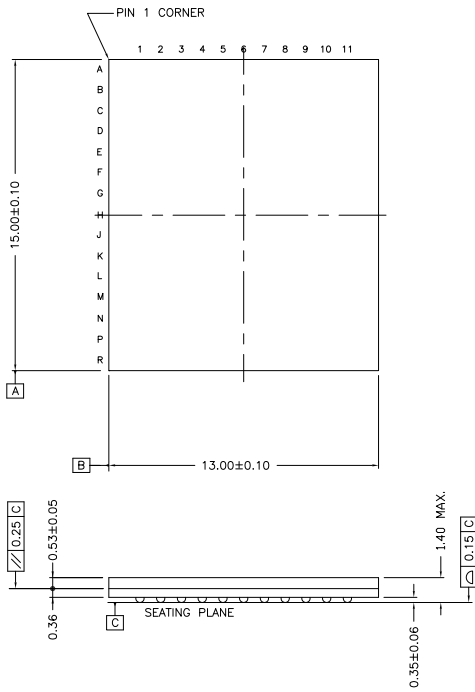
Speed (MHz)	Ordering Code	Package Diagram	Package Type	Operating Range
167	CY7C1302DV25-167BZC	51-85180	165-ball Fine-Pitch Ball Grid Array (13 × 15 × 1.4 mm)	Commercial

Ordering Code Definitions

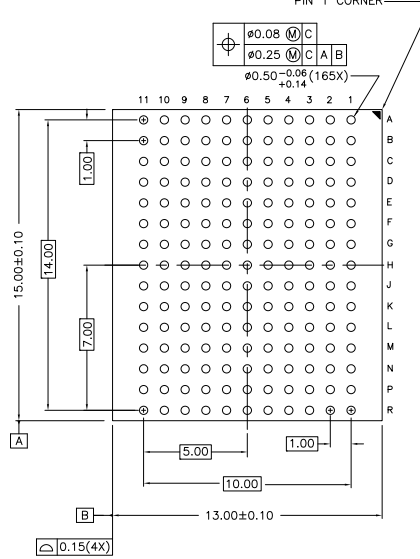


Package Diagram

TOP VIEW



BOTTOM VIEW



NOTES :
 SOLDER PAD TYPE : NON-SOLDER MASK DEFINED (NSMD)
 PACKAGE WEIGHT : 0.475g
 JEDEC REFERENCE : MO-216 / ISSUE E
 PACKAGE CODE : BB0AC

51-85180 °C

Acronyms

Acronym	Description
BWS	byte write select
DDR	double data rate
FBGA	fine-pitch ball grid array
HSTL	high-speed transceiver logic
I/O	Input/output
JTAG	joint test action group
LSB	least significant bit
MSB	most significant bit
NC	no connect
QDR	quad data rate
SRAM	static random access memory
TAP	test access port
TCK	test clock
TDI	test data-in
TDO	test data-out
TMS	test mode select

Document Conventions

Units of Measure

Symbol	Unit of Measure
°C	degree Celcius
μA	micro Amperes
μs	micro seconds
mA	milli Amperes
mm	milli meter
mV	milli Volts
mW	milli Watts
MHz	Mega Hertz
ns	nano seconds
Ω	ohms
%	percent
pF	pico Farad
V	Volts
W	Watts

Document History Page

Document Title: CY7C1302DV25, 9-Mbit Burst of Two Pipelined SRAMs with QDR™ Architecture Document Number: 38-05625				
REV.	ECN NO.	Submission Date	Orig. of Change	Description of Change
**	253010	See ECN	SYT	New Data Sheet
*A	436864	See ECN	NXR	<p>Converted from Preliminary to Final Removed 133 MHz & 100 MHz from product offering Included the Industrial Operating Range. Changed C/C Description in the Features Section & Pin Description Table Changed t_{TCYC} from 100 ns to 50 ns, changed t_{TF} from 10 MHz to 20 MHz and changed t_{TH} and t_{TL} from 40 ns to 20 ns in TAP AC Switching Characteristics table Modified the ZQ pin definition as follows: Alternately, this pin can be connected directly to V_{DDQ}, which enables the minimum impedance mode Included Maximum Ratings for Supply Voltage on V_{DDQ} Relative to GND Changed the Maximum Ratings for DC Input Voltage from V_{DDQ} to V_{DD} Modified the Description of I_x from Input Load current to Input Leakage Current on page # 13 Modified test condition in note# 14 from $V_{DDQ} < V_{DD}$ to $V_{DDQ} \leq V_{DD}$ Updated the Ordering Information table and replaced the Package Name Column with Package Diagram</p>
*B	2896202	03/19/2010	NJY	Removed inactive parts from the Ordering Information table; Updated package diagram.
*C	3122015	12/28/2010	NJY	Updated Ordering Information and added Ordering Code Definitions . Added Acronyms and Units of Measure . Minor edits and updated in new template.
*D	3249352	05/05/2011	NJY	Updated Ordering Information . Minor edits across the document.

Sales, Solutions, and Legal Information

Worldwide Sales and Design Support

Cypress maintains a worldwide network of offices, solution centers, manufacturer's representatives, and distributors. To find the office closest to you, visit us at [Cypress Locations](#).

Products

Automotive	cypress.com/go/automotive
Clocks & Buffers	cypress.com/go/clocks
Interface	cypress.com/go/interface
Lighting & Power Control	cypress.com/go/powerpsoc cypress.com/go/plc
Memory	cypress.com/go/memory
Optical & Image Sensing	cypress.com/go/image
PSoC	cypress.com/go/psoc
Touch Sensing	cypress.com/go/touch
USB Controllers	cypress.com/go/USB
Wireless/RF	cypress.com/go/wireless

PSoC Solutions

psoc.cypress.com/solutions
PSoC 1 | PSoC 3 | PSoC 5

© Cypress Semiconductor Corporation, 2004-2011. The information contained herein is subject to change without notice. Cypress Semiconductor Corporation assumes no responsibility for the use of any circuitry other than circuitry embodied in a Cypress product. Nor does it convey or imply any license under patent or other rights. Cypress products are not warranted nor intended to be used for medical, life support, life saving, critical control or safety applications, unless pursuant to an express written agreement with Cypress. Furthermore, Cypress does not authorize its products for use as critical components in life-support systems where a malfunction or failure may reasonably be expected to result in significant injury to the user. The inclusion of Cypress products in life-support systems application implies that the manufacturer assumes all risk of such use and in doing so indemnifies Cypress against all charges.

Any Source Code (software and/or firmware) is owned by Cypress Semiconductor Corporation (Cypress) and is protected by and subject to worldwide patent protection (United States and foreign), United States copyright laws and international treaty provisions. Cypress hereby grants to licensee a personal, non-exclusive, non-transferable license to copy, use, modify, create derivative works of, and compile the Cypress Source Code and derivative works for the sole purpose of creating custom software and or firmware in support of licensee product to be used only in conjunction with a Cypress integrated circuit as specified in the applicable agreement. Any reproduction, modification, translation, compilation, or representation of this Source Code except as specified above is prohibited without the express written permission of Cypress.

Disclaimer: CYPRESS MAKES NO WARRANTY OF ANY KIND, EXPRESS OR IMPLIED, WITH REGARD TO THIS MATERIAL, INCLUDING, BUT NOT LIMITED TO, THE IMPLIED WARRANTIES OF MERCHANTABILITY AND FITNESS FOR A PARTICULAR PURPOSE. Cypress reserves the right to make changes without further notice to the materials described herein. Cypress does not assume any liability arising out of the application or use of any product or circuit described herein. Cypress does not authorize its products for use as critical components in life-support systems where a malfunction or failure may reasonably be expected to result in significant injury to the user. The inclusion of Cypress' product in a life-support systems application implies that the manufacturer assumes all risk of such use and in doing so indemnifies Cypress against all charges.

Use may be limited by and subject to the applicable Cypress software license agreement.